



## TO-92 Plastic-Encapsulate Transistors

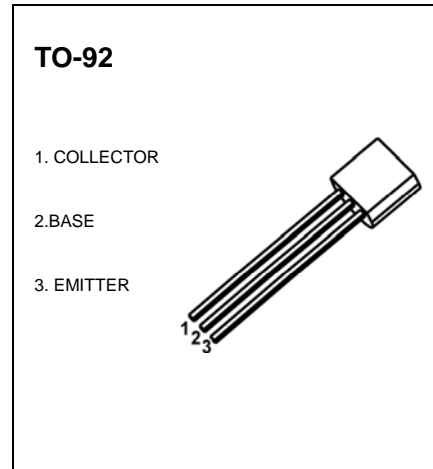
### BC327/ BC328 TRANSISTOR (PNP)

#### FEATURES

- Power dissipation

#### MAXIMUM RATINGS (T<sub>a</sub>=25°C unless otherwise noted)

Symbol	Parameter	Value	Unit
V <sub>CBO</sub>	Collector-Base Voltage	BC327	-50
		BC328	-30
V <sub>CEO</sub>	Collector-Emitter Voltage	BC327	-45
		BC328	-25
V <sub>EBO</sub>	Emitter-Base Voltage	-5	V
I <sub>C</sub>	Collector Current -Continuous	-800	mA
P <sub>C</sub>	Collector Power Dissipation	625	mW
T <sub>j</sub>	Junction Temperature	150	°C
T <sub>stg</sub>	Storage Temperature	-55-150	°C



#### ELECTRICAL CHARACTERISTICS (T<sub>a</sub>=25°C unless otherwise specified)

Parameter	Symbol	Test conditions	Min	Typ	Max	Unit
Collector-base breakdown voltage	V <sub>CBO</sub>	I <sub>C</sub> = -100uA, I <sub>E</sub> =0	-50			V
BC327 BC328			-30			
Collector-emitter breakdown voltage	V <sub>CEO</sub>	I <sub>C</sub> = -10mA, I <sub>B</sub> =0	-45			V
BC327 BC328			-25			
Emitter-base breakdown voltage	V <sub>EBO</sub>	I <sub>E</sub> = -10uA, I <sub>C</sub> =0	-5			V
Collector cut-off current	I <sub>CBO</sub>	V <sub>CB</sub> = -45 V, I <sub>E</sub> =0 V <sub>CB</sub> = -25V, I <sub>E</sub> =0			-0.1	uA
BC327 BC328			-0.1			
Collector cut-off current	I <sub>CEO</sub>	V <sub>CE</sub> = -40 V, I <sub>B</sub> =0 V <sub>CE</sub> = -20 V, I <sub>B</sub> =0			-0.2	uA
BC327 BC328			-0.2			
Emitter cut-off current	I <sub>EBO</sub>	V <sub>EB</sub> = -4 V, I <sub>C</sub> =0			-0.1	uA
DC current gain	h <sub>FE(1)</sub>	V <sub>CE</sub> =-1 V, I <sub>C</sub> = -100mA	100		630	
	h <sub>FE(2)</sub>	V <sub>CE</sub> =-1 V, I <sub>C</sub> = -300mA	40			
Collector-emitter saturation voltage	V <sub>CE(sat)</sub>	I <sub>C</sub> =-500mA, I <sub>B</sub> = -50mA			-0.7	V
Base-emitter saturation voltage	V <sub>BE(sat)</sub>	I <sub>C</sub> = -500mA, I <sub>B</sub> =-50mA			-1.2	V
Base-emitter voltage	V <sub>BE</sub>	V <sub>CE</sub> =-1 V, I <sub>C</sub> = -300mA			-1.2	V
Transition frequency	f <sub>T</sub>	V <sub>CE</sub> = -5V, I <sub>C</sub> = -10mA f = 100MHz	260			MHz
Collector Output Capacitance	C <sub>ob</sub>	V <sub>CB</sub> =-10V, I <sub>E</sub> =0 f=1MHz		12		pF

#### CLASSIFICATION OF h<sub>FE</sub>

Rank	16	25	40
Range	100-250	160-400	250-630

# Typical Characteristics

# BC327/BC328

