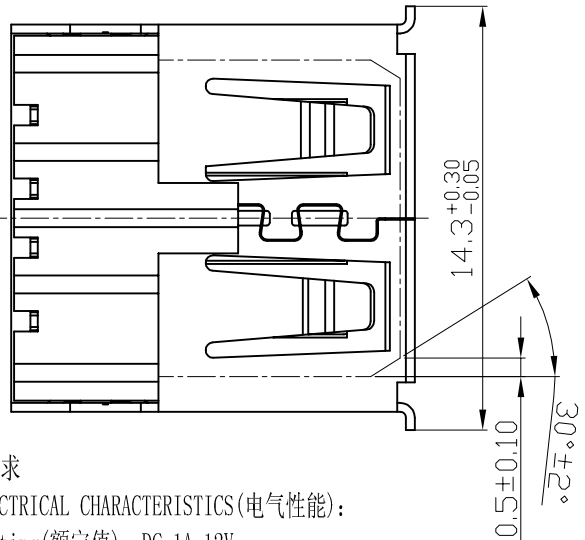
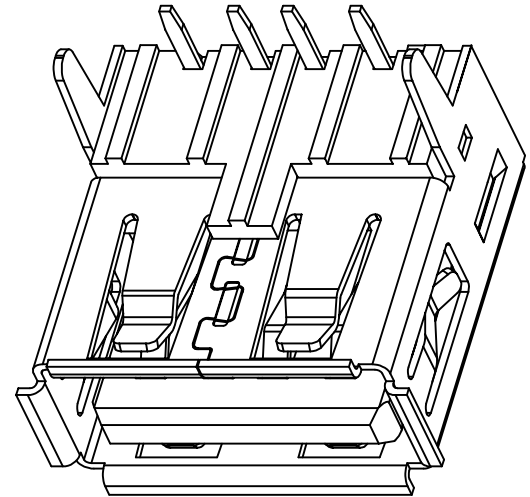
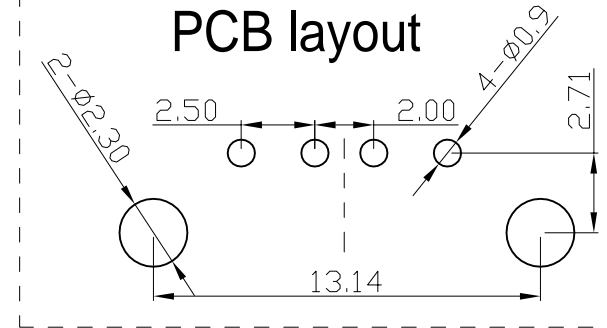
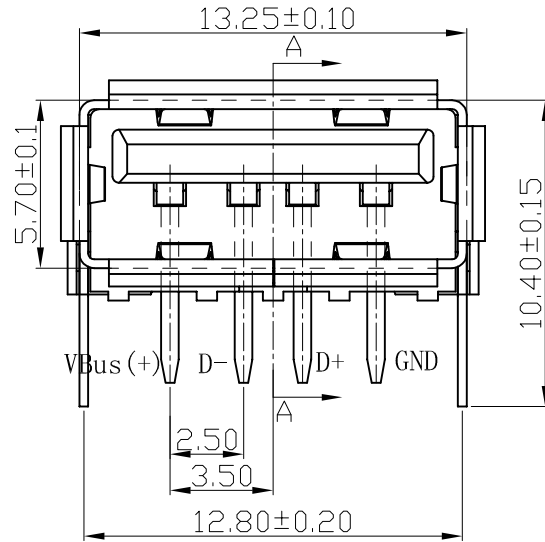
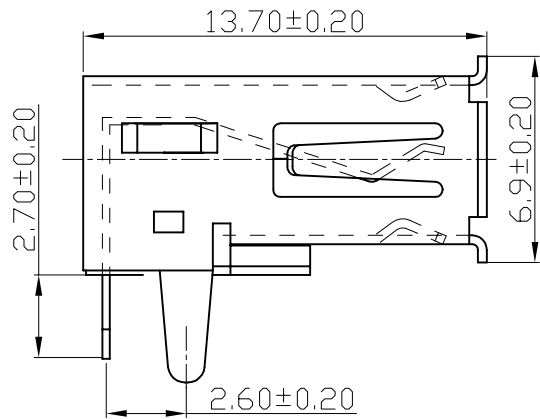


YJ-USB-AF-06-W



技术要求

1、ELECTRICAL CHARACTERISTICS(电气性能):

- 1.1 Rating(额定值): DC 1A 12V
- 1.2 Contact Resistance(接触电阻): ≤50mΩ
- 1.3 insulation Resistance(绝缘电阻): ≥100MΩ
- 1.4 Actuating Force(插拔力): 0.7~4kg
- 1.5 Withstand Voltage(耐压): AC500V(50Hz)/min
- 1.6 Life(寿命): 5,000 Cycles MIN(大于5,000次)

2、ELECTRICAL temperature rang(使用温度范围): -30° C~+70° C

Tolerance	
尺寸范围	公差范围
0~10	±0.1
10~20	±0.2
20~40	±0.3
40~60	±0.5
60~80	±0.5
80~100	±1
120~140	±1.5

Item	Name	No.	Material	Standards	Surface
1	Case	1	Copper	T=0.30mm	Tin plating
			or Metal	T=0.30mm	Tin plating
2	Terminals	4	Brass	T=0.25mm	header-gold plated body-tin plated
3	Base	1	PBT	UL 94-V0	White

Quark-elec(H.K.)

视角		批准		Name	USB-AF-90度直脚无盖
单位	MM	审核		Part No.	YJ-USB-AF-06-W
比例	MM	设计	Jack. Luo	Date	2007. 05. 12