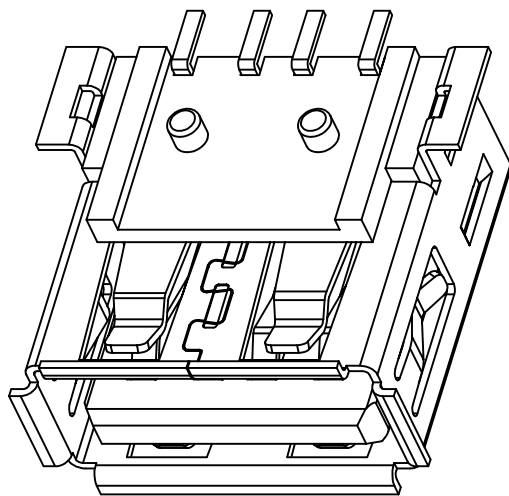
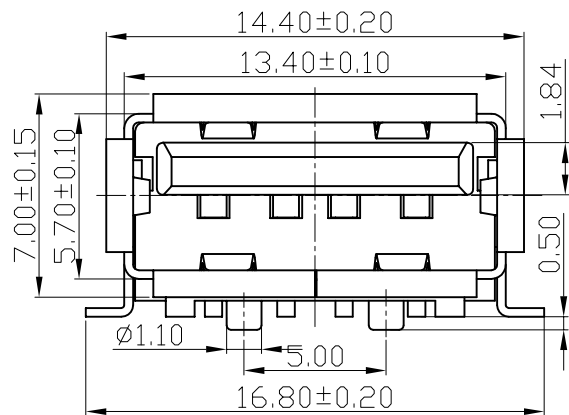
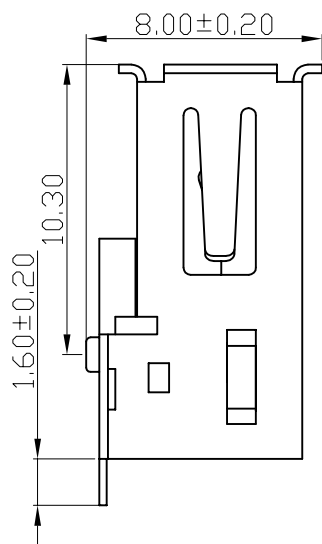
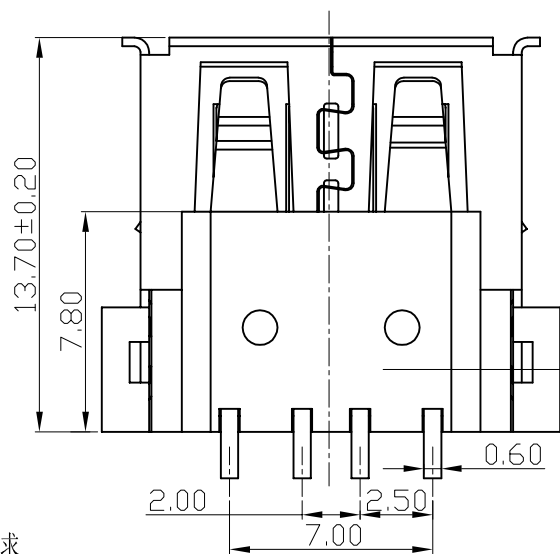
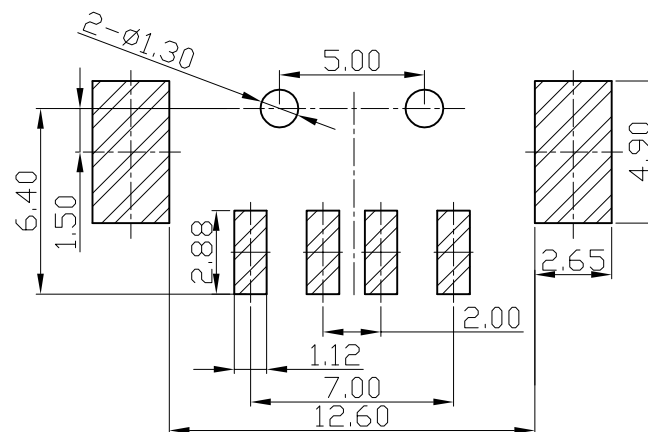


YJ-USB-AF-SMT-01



P. C. B LAYOUT (对接尺寸)



技术要求

1、ELECTRICAL CHARACTERISTICS(电气性能):

1.1 Rating(额定值): DC 0.3A 30V

1.2 Contact Resistance(接触电阻): ≤100mΩ

1.3 insulation Resistance(绝缘电阻): ≥100MΩ

1.4 Actuating Force(插拔力): 0.7~4kg

1.5 Withstand Voltage(耐压): AC500V(50Hz)/min

1.6 Life(寿命): 5,000 Cycles MIN(大于5,000次)

2、ELECTRICAL temperature rang(使用温度范围): -30° C~+70° C

1	Case	1	Copper	T=0.30mm	Tin plating
			or Metal	T=0.30mm	Tin plating
2	Terminals	4	Brass	T=0.25mm	header-gold plated body-tin plated
3	Base	1	PBT	UL 94-V0	White
Item	Name	No.	Material	Standards	Surface

Quark-elec(H.K.)

Tolerance	
尺寸范围	公差范围
0~10	±0.1
10~20	±0.2
20~40	±0.3
40~60	±0.5
60~80	±0.5
80~100	±1
120~140	±1.5

视角		批准	
单位	MM	审核	
比例	4:1	设计	

Name	AF-SMT 铁壳平角
Part No.	YJ-USB-AF-SMT-01
Date	2007.05.13