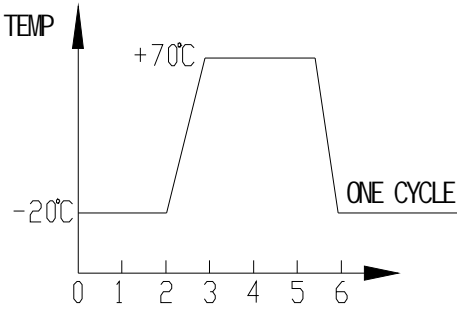
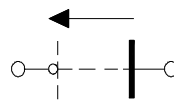
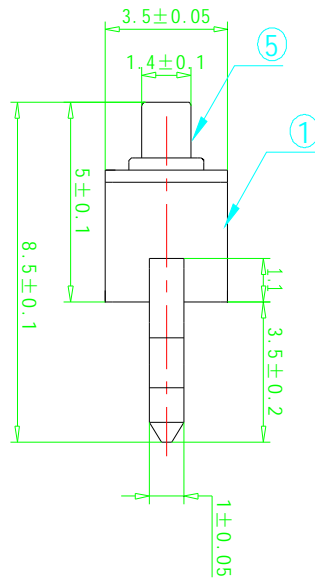
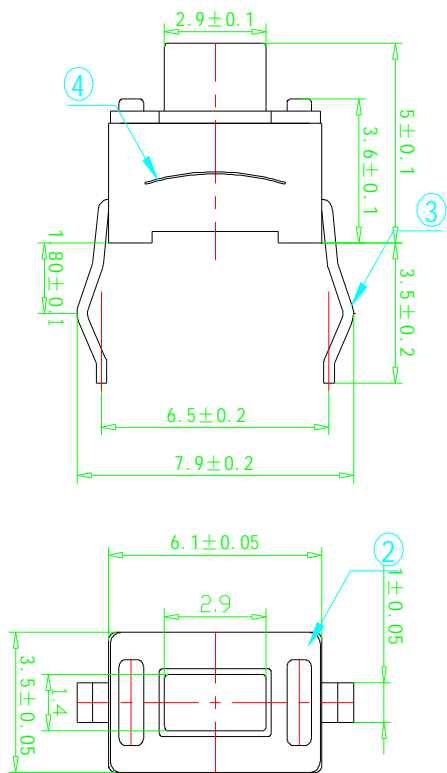


深圳华达通电子有限公司 HUADATONGELECTRONICSCO.LTD		PRODUCT SPECIFICATIONS		
		SPEC NO	VERSION	A
DESCRIPTION:	轻触开关	DATE	2012-05-02	
MODEL NO:	TST3605C-AF1-J25 250±50gf	PAGE	1 of 4	
RATING (额定值): DC 12V 0.5A				
STANDARD ATMOSPHEIC CONDITIONS 测试标准状度		UNLESS OTHERWISE SPECIFIED THE STANDARD RANGE OF ATMOSPHERIC CONDITIONS FOR MAKING MEASUREMENTS AND TESTS ARE AS FOLLOWS: (1) BETWEEN BODY AND CONDUCTOR: 5°C TO 35°C (2) BETWEEN CONDUCTORS NOT TO BE CONTACT: 45% TO 85% (3) PRESSURE: 86Kpa TO 106Kpa 在没有指定的情况下测试温度、湿度、气压如下: (1) 温度为5°C~35°C (2) 湿度为45%~85% (3) 气压为86 Kpa~106Kpa		
1.MECHANICAL (机械性能)				
ITEM 项目	TEST CONDITIONS 测试条件	PERFORMANCE 规格		
1-1	CONTACT STRENGTH 按键强度	THE CONTACT SHALL BE CAPABLE OF A FORCE OF 5N FOR 5 SECONDS IN ANY DIRECTIONS.沿开关动作方向可承受静能压力 5N,保持 5 秒钟.	SWITCH ELECTRIC AND MECHANICAL EFFICIENCY DOES NOT BREAK 无损开关电气或机械性能.	
1-2	DRIVE FORCE 驱动力	BEING MEASURE AT AC6ROSS SPRING PIECE AND ACROSS KEYSTROKE FOR ERGOMETER.用测力计在按键与弹片之间测量.	CONTACT SWITCH'S DRIVE FORCE WAS 250gf ± 40gf 按键的开关驱动力为 250gf ± 40gf.	
	回弹力 RESILIENT FORCE		CONTACT SWITCH'S RESILIENT FORCE WAS 90gf ± 30gf 按键的开关回弹力为 90gf ± 30gf.	
1-3	TERMINAL STRENGTH 接线端强度	A FORCE OF 1N BEING APPLING IN ANY DIRECTIONS ON THE SWITCH CONNECTION PART.在接线端的任意方向施加 1N 的力.	THERE SHALL BE NO SIGN OF DAMAGE MECHANICALLY AND ELECTRICALLY.无任何迹象显示机械及电气性能之损坏.	

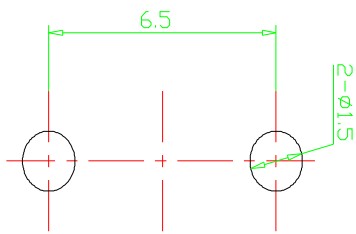
深圳华达通电子有限公司 HUADATONGELECTRONICSCO.LTD		PRODUCT SPECIFICATIONS		
		SPEC NO	VERSION	A
DESCRIPTION:	轻触开关	DATE	2012-05-02	
MODEL NO:	TST3605C-AF1-J25 250±50gf	PAGE	2 of 4	
2.ELECTRICAL (电气性能)				
ITEM 项目	TEST CONDITIONS 测试条件			PERFORMANCE 规格
2-1	CONTACT RESISTANCE 接触电阻	BEING MEASURED AT 1KHZ SMALL CURRENT XONTACT RESISTANCE METER.. 用 1KHZ 小电流电阻测量.		≤45mΩ
2-2	INSULATION RESISTANCE 绝缘电阻	MEASUREMENTS SHALL BE MADE FOLLOWING APPLICATION OF DC 500V POTENTIAL ACROSS TERMINALS AND ACROSS TERMINALS AND FRAME FOR ONE MINUTE. 在端子之间和端子与壳之间加 DC500V 条件下,持续 1 分钟测量.		≥100MΩ
2-3	DIELECTRIC STRENGTH 耐电压	AC 500V (500HZ OR600HZ)SHALL BE APPLICATION ACROSS TERMINALS AND ACROSS TERMINALS AND FRAME FOR ONE MINUTE. 在端子之间和端子与壳之间加 AC250V(50HZ 或 60HZ)条件下,持续 1 分钟测量.		THERE SHALL BE NO BREAKDOWN. 无击穿现象出现.
2-4	SWITCH CONNECTION FLASH 开关接点抖动	ADDITION DC50V ON THE TWO SIDE OF SWITCH,AT A SPEED OF 3-5TIMES A SEC.TO PRESS THE SWITCH.在开关的两端加 DC50V 的电压,以 3-5 次/秒的速度按动开关.		THE FLASH TIME BETWCEN OPEN AND CLOSE SHOULD NOT MORE THAN 10ms.开关在接通和断开时的接点抖动时间不大于 10ms.

深圳华达通电子有限公司 HUADATONGELECTRONICSCO.LTD		PRODUCT SPECIFICATIONS		
		SPEC NO	VERSION	A
DESCRIPTION:	轻触开关	DATE	2012-05-02	
MODEL NO:	TST3605C-AF1-J25 250±50gf	PAGE	3 of 4	
3.DURABILITY (耐久性)				
ITEM 项目	TEST CONDITIONS 测试条件	PERFORMANCE 规格		
3-1	<p>SOLDERABILITY 可焊性</p> <p>TEMPERATURE: 280±5℃;DURATION: 3±0.5S. 温度在280±5℃,持续3±0.5S.</p> <p>Copper foil surface temperature(C°)</p> <p>Time inside soldering equi</p>	<p>SOLDERABILITY PART SHOULD ABOVE 75%.可焊部分被焊料覆盖面应在90%以上.</p>		
3-2	<p>HUMIDITY TEST 潮湿试验</p> <p>THE JACK SHALL BE STORED AT A TEMPERATURE OF 40±2℃ AND A HUMIDITY OF 90% TO 96% FOR 96 HR, THEN THE JACK SHALL BE MAINTAINED AT STANDARD ATMOSPHERIC CONDITION FOR 1 Hr FOR OTHER PROCEDURES. 放置40±2℃的相应湿度为90~96% RH 环境中96小时后,再将样板放在正常环境中1小时后进行测试.</p>	<p>THERE SHALL BE NO DAMAGE ON APPEARANCE MECHANICAL AND ELECTRICAL CHARACTERISTICS SHALL BE SATISFIED 外观无异常,满足于机械、电气性能.</p>		
3-3	<p>HEAT TEST 耐热试验</p> <p>THE JACK SHALL BE STORED AT A TEMPERATURE OF 70±2℃ FOR 96 HOURS, AND THEN IT SHALL BE SUBJECTED TO THE CONTROLLED RECOVERY BY ASURBM. 放置在温度70±2℃中测试96小时后,再放置正常室温中1小时来测定.</p>	<p>THERE SHALL BE NO DAMAGE ON APPEARANCE MECHANICAL AND ELECTRICAL CHARACTERISTICS SHALL BE SATISFIED. 外观无异常,满足于机械、电气性能.</p>		
3-4	<p>COLD TEST 耐寒试验</p> <p>THE JACK SHALL BE STORED AT A TEMPERATURE OF -25±3℃ FOR 96 HOURS AND THEN IT SHALL BE SUBJECTED TO THE CONTROLLED RECOVERY CONDITIONS FOR 1 HOUR AFTER WHICH. 放置在温度-25±3℃中96小时后,再放置常温常湿中1小时来测定.</p>	<p>THERE SHALL BE NO DAMAGE ON APPEARANCE MECHANICAL AND ELECTRICAL CHARACTERISTICS SHALL BE SATISFIED. 外观无异常,满足于机械、电气性能.</p>		

深圳华达通电子有限公司 HUADATONGELECTRONICSCO.LTD		PRODUCT SPECIFICATIONS		
		SPEC NO	VERSION	A
DESCRIPTION:	轻触开关	DATE	2012-05-02	
MODEL NO:	TST3605C-AF1-J25 250±50gf	PAGE	4 of 4	
3-5	LIFE TEST 寿命试验	<p>WITHOUT LOAD:</p> <p>无负荷:</p> <p>8,0000 CYCLES OF OPERATION AT A RATE OF 15-18 CYCLE PER MINUTE WITH UNLOADING.</p> <p>无负载条件下,每分钟15-18次的速度操作8,0000次。</p> <p>LOAD:</p> <p>负荷:</p> <p>80000 CYCLES OF OPERATION AT A RATE OF 15-18 CYCLE PER MINUTE WITH LOADING.</p> <p>无负载条件下,每分钟15-18次的速度操作80000次。</p>	<p>(1)CONTACT RESISTANCE 接触电阻 $\leq 100\text{ m}\Omega$.</p> <p>(2)OPERATING FORCE 动作力 30% INITIAL VALUE 变化范围初始值30%</p> <p>(3)INSULATION RESISTANCE 绝缘电阻 $\geq 100\text{ M}\Omega$.</p> <p>(4)ITEM 项目—2-2</p> <p>(5)ITEM 项目—1-2</p> <p>(6)ITEM 项目—2-3</p>	
3-6	TEMPERATURE CYCLING TEST 温度交变试验	<p>IN FIG ,OR 5 CYCLES ,AFTER TEST KEPT INNORMAL CONDITION FOR 30 MINUTES.</p> <p>如图示之环境中,循环5周期后,再置于正常环境中,30分钟后进行测试。</p> 	<p>THERE SHALL BE NO DAMAGE ON APPEARANCE. MECHANICAL AND ELECTRICAL CHARACTERISTICS SHALL BE SATISFIED.</p> <p>外观无异常,满足于机械、电气性能。</p>	



Circuit Diagram



P.C.B holes diagram

5	按钮	1	PPA	黑色
4	簧片	1	不锈钢	镀银(进口)
3	嵌件	1	H65 Y 0.3	镀银
2	盖板	1	H62 T 0.3	镀铜锡
1	底座	1	PA66	黑色
序号	部件名称	数量	部件材质	备注
绘图		日期	比例: 1:1	产品名称: 轻触开关
设计		日期	视图:	
审核		日期		产品型号: TST-3605C-AF1-J25
批准		日期	单位: 毫米	

媒体编号

旧底图总号

底图总号

签名 日期