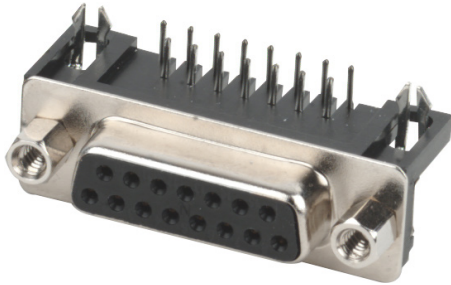


D-Sub Receptacles Series Connectors

PCB Right Angle (8.08mm Footprint)

Quark Electronics

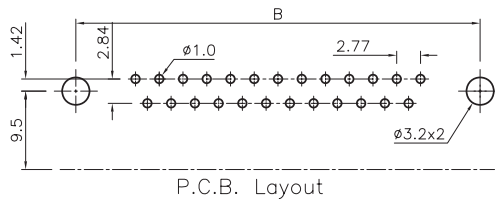
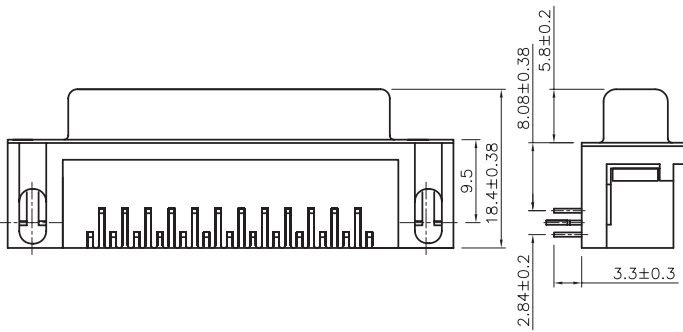
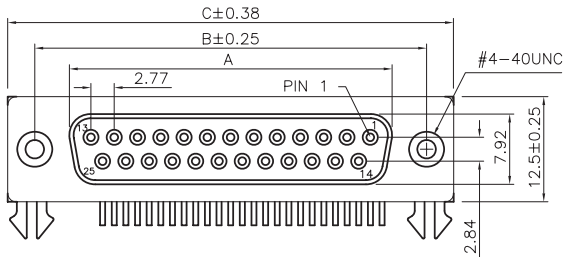


Specifications:

Current Rating	: 3A AC/DC
Voltage Rating	: 250V AC/DC
Contact Resistance	: 30mΩ Max.
Insulation Resistance	: 5,000MΩ Min.
Withstanding Voltage	: 1,000V AC for One Minute
Operating Temperature Range	: -40°C to +85°C

Material and Finish

Insulation	: PBT
Contact	: Copper Alloy
Plating	: Gold Plated on Contact Area, Tin Plated on Solder Tail
Shell	: Metal Iron with Nickel Plated



Pos	A	B	C
9	16.33	24.99	30.81
15	24.66	33.32	39.14
25	38.38	47.04	53.04
37	54.83	63.5	69.32

Dimensions : Millimetres

Dimensions : Millimetres