

***Material and plating**

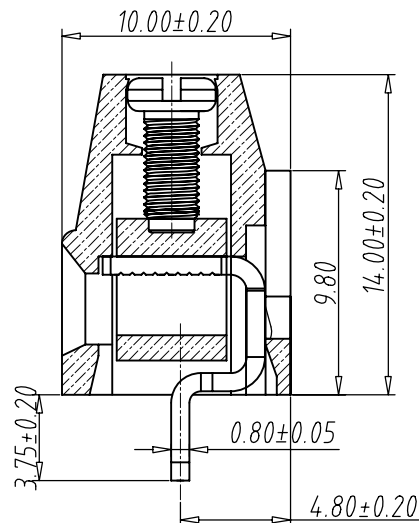
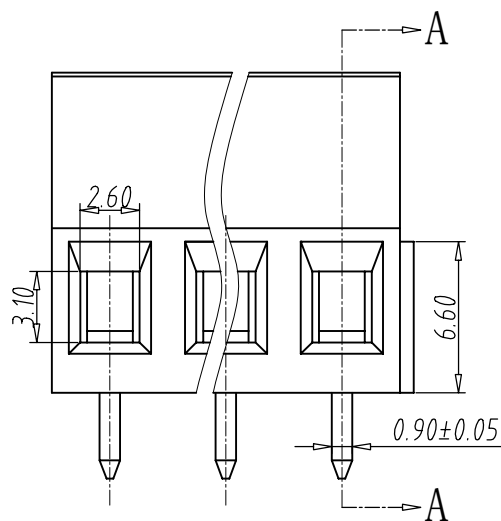
Screw: M2.5, Steel, Zinc plating
 Contact Material: Brass, Nickel plating
 Plastic part: PA66, UL94V-0

***Mechanical property**

Operating Temperature: -40°C to +105°C
 Maximum Temperature: +250°C per 5 seconds

***Electrical Properties**

Voltage rating: 300V
 Current rating: 10A
 Contact Resistance: 20mohm
 Insulation Resistance: 5000Mohm\1000V
 Voltage Resistance: AC2000V\1Min
 Wire type: 24-12AWG 2.5mm²
 Torsional Moment: 0.4Nm (3.6lb.in)

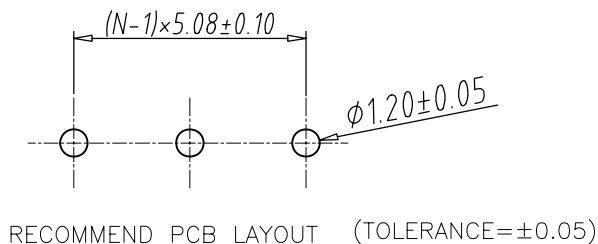


剖面图 A-A

Coding:

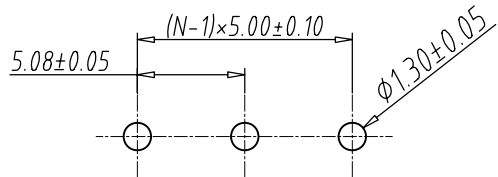
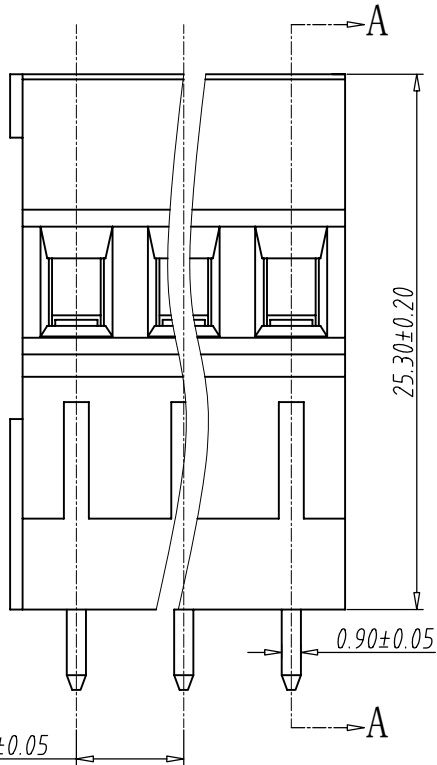
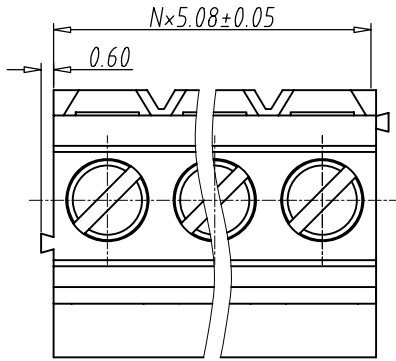
WJ500V- X X X X X

- X: Type of board
- R: 90° V: 180°
- Plastic core color
- B: Blue R: Red
- H: Black G: Green
- Terminal plating specification
- O: Half-Gold-Tin 6: Tin
- Z: Tinplating
- Set Model
- S: Male P: female
- No. of Pins
- 02/03-24

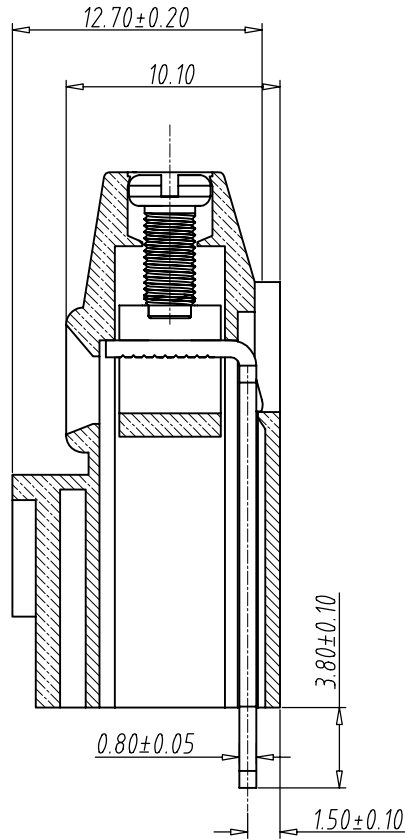


X.	±0.20	X.	±2°
.X	±0.15	.X	±1.5°
.XX	±0.10	.XX	±1°
图页			
1:1		1\1	

品名	欧式接线端子		
纸张尺寸	mm	间距5.08MM	
	A4	产品系列	WJ500V 系列



RECOMMEND PCB LAYOUT (TOLERANCE=±0.05)



剖面图 A-A

***Material and plating**

Screw: M2.5, Steel, Zinc plating
 Contact Material: Brass, Nickel plating
 Plastic part: PA66, UL94V-0

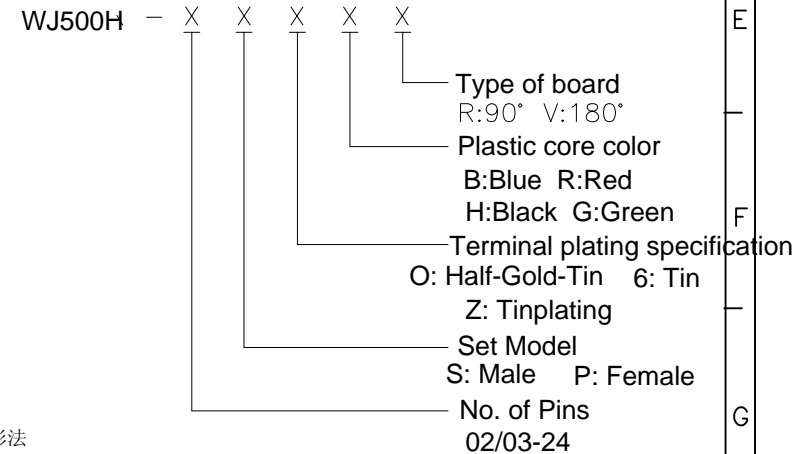
***Mechanical property**

Operating Temperature: -40°C to +105°C
 Maximum Temperature: +250°C per 5 seconds

***Electrical Properties**

Voltage rating: 300V
 Current rating: 10A
 Contact Resistance: 20mohm
 Insulation Resistance: 5000Mohm\1000V
 Voltage Resistance: AC2000V\1Min
 Wire type: 24-12AWG 2.5mm²
 Torsional Moment: 0.4Nm (3.6lb.in)

编码原则:



投影法
单位

品名	欧式接线端子	
纸张尺寸	mm	
	A4	产品系列
		WJ500H 系列

X.	±0.20	X.	±2°
.X	±0.15	.X	±1.5°
.XX	±0.10	.XX	±1°
1:1			