

Coiling Power Inductors-GDSD

Features

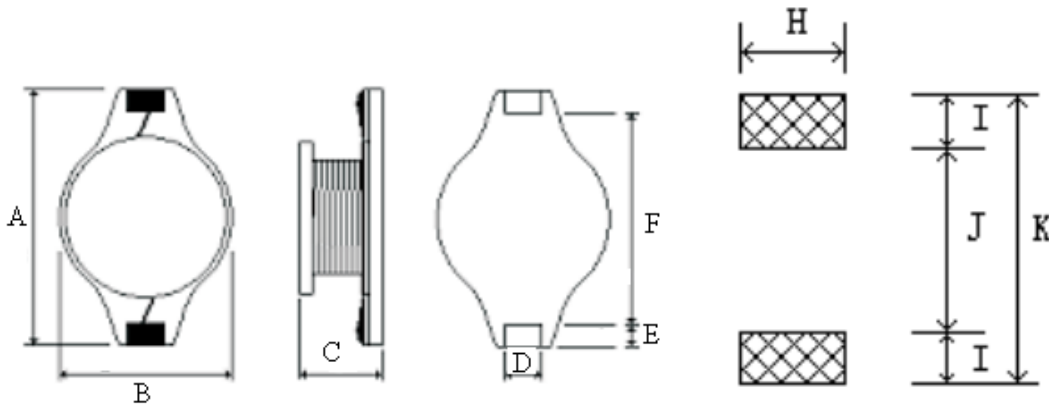
- Large Current
- Suitable for SMD and Reflow Soldering



Application

- Mobile Communication, Notebook computer
- LCD Television, VCR, DC/DC Converter

External Dimension



Unit: mm

Series	A	B	C	D	E	F	H	I	J
GDSD3316	12.70	9.20	5.00	2.52	2.54	7.62	2.79	2.92	7.37
GDSD5022	18.10	14.10	6.80	2.54	2.54	12.70	2.79	2.92	12.45

Naming rule

GDSD **3316** - □□□ M T

- ① ② ③ ④ ⑤

- ① Type: GDSD coiling power inductor
- ② External Dimension: 3316—12.70*9.20*5.00mm 5022—18.10*14.10*6.80mm
- ③ Nominal Inductance: 1R0—1.0μH 100—10μH 101—100μH
- ④ Tolerance: M—±20% ±N— 30%
- ⑤ Packaging: T-lace/Tape

Technical specifications

GSD3316 系列

Part Number 型号	Inductance 电感量	L Test Condition L 测试条件	Max. DC Resistance 直流电阻	Max. Rated Current 额定电流
Units 单位	μH	Hz, V	Ω	A
Symbol 符号	L	-	DCR	I_r
GSD3316-1R0MT	1.0	100K, 0.3V	0.011	9.0
GSD3316-1R5MT	1.5	100K, 0.3V	0.012	8.0
GSD3316-2R2MT	2.2	100K, 0.3V	0.015	7.0
GSD3316-3R3MT	3.3	100K, 0.3V	0.018	6.4
GSD3316-4R7MT	4.7	100K, 0.3V	0.022	5.4
GSD3316-6R8MT	6.8	100K, 0.3V	0.027	4.6
GSD3316-100MT	10	100K, 0.3V	0.038	3.8
GSD3316-150MT	15	100K, 0.3V	0.060	3.0
GSD3316-220MT	22	100K, 0.3V	0.085	2.6
GSD3316-330MT	33	100K, 0.3V	0.110	2.0
GSD3316-470MT	47	100K, 0.3V	0.170	1.6
GSD3316-680MT	68	100K, 0.3V	0.210	1.4
GSD3316-101MT	100	100K, 0.3V	0.330	1.2
GSD3316-151MT	150	100K, 0.3V	0.480	1.0
GSD3316-221MT	220	100K, 0.3V	0.800	0.8
GSD3316-331MT	330	100K, 0.3V	1.020	0.6
GSD3316-471MT	470	100K, 0.3V	1.270	0.5
GSD3316-681MT	680	100K, 0.3V	2.020	0.4
GSD3316-102MT	1000	100K, 0.3V	3.000	0.3

GSD5022 系列

Part Number 型号	Inductance 电感量	L Test Condition L 测试条件	Max. DC Resistance 直流电阻	Max. Rated Current 额定电流
Units 单位	μH	Hz, V	Ω	A
Symbol 符号	L	-	DCR	I_r
GSD5022-1R0MT	1.0	100K, 0.3V	0.009	20
GSD5022-2R2MT	2.2	100K, 0.3V	0.014	16
GSD5022-3R3MT	3.3	100K, 0.3V	0.018	14
GSD5022-5R6MT	5.6	100K, 0.3V	0.020	12
GSD5022-100MT	10	100K, 0.3V	0.031	10
GSD5022-150MT	15	100K, 0.3V	0.036	8.0
GSD5022-220MT	22	100K, 0.3V	0.047	7.0

GSD5022-330MT	33	100K, 0.3V	0.066	5.5
GSD5022-470MT	47	100K, 0.3V	0.086	4.5
GSD5022-680MT	68	100K, 0.3V	0.130	3.5
GSD5022-101MT	100	100K, 0.3V	0.190	3.0
GSD5022-151MT	150	100K, 0.3V	0.250	2.6
GSD5022-221MT	220	100K, 0.3V	0.380	2.4
GSD5022-331MT	330	100K, 0.3V	0.560	1.9
GSD5022-471MT	470	100K, 0.3V	0.850	1.4
GSD5022-681MT	680	100K, 0.3V	1.100	1.2
GSD5022-102MT	1000	100K, 0.3V	1.800	1.0

※1. All results are tested under 20°C