

F

E

D

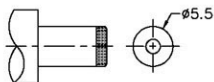
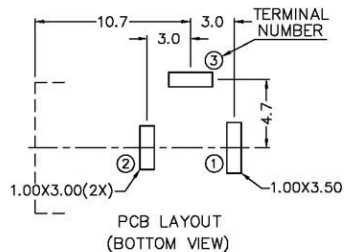
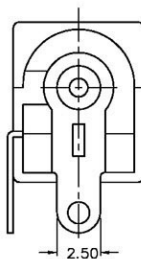
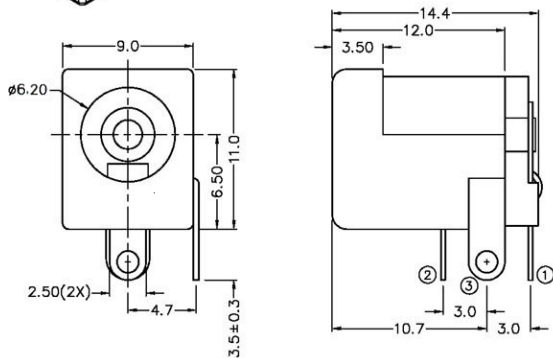
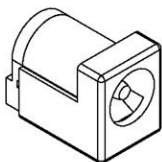
C

B

A

RoHS
Compliant

| ZONE | SYMBOL | REVISION | APPROVAL | DATE |
|------|--------|---------------|-----------|-----------|
| | | ADD MATE PLUG | J.X.KUANG | 26-9-2006 |
| | | | | |
| | | | | |



DC MATE PLUG

| SCHEMATIC | |
|------------|---------|
| | 1 |
| | 3 |
| | 2 |
| CENTER PIN | ø1.65mm |
| | ø2mm |
| | ø2.35mm |
| | ø2.5mm |

* MATERIAL

CENTRE PIN : COPPER
 TERMINAL 1 : BRASS
 TERMINAL 2 : COPPER ALLOY
 TERMINAL 3 : BRASS
 HOUSING : PBT
 COVER : PBT

Dongguan Chanshan Wuji Electrical Factory

| DESIGN | | J.M.KWAN | | DATE | | 16-1-2004 | | SCALE | | 3:1 | |
|-----------|-----------------|----------------------|------------|-------|--|-----------|--|----------|--|------------|--|
| DRAWING | | L.L.ZHANG | | DATE | | 26-9-2006 | | MATERIAL | | * | |
| CHECK | | | | DATE | | | | DWG. NO. | | TZ\1-PBT/C | |
| APPROVAL | | | | DATE | | | | SHEET | | | |
| PART NAME | DC POWER SOCKET | TOLERANCE UNLESS | 0.0±0.2 | UNIT: | | | | | | | |
| PART NO. | DC-005 | OTHERWISE SPECIFIED: | 0.00±0.1 | | | | | | | | |
| | | | 0.000±0.05 | | | | | | | | |

F

E

D

C

B

A

DCF-04/A