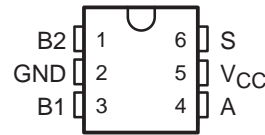


SN74LVC1G3157 SINGLE-POLE, DOUBLE-THROW ANALOG SWITCH

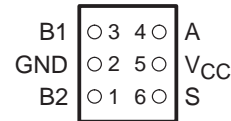
SCES424C – JANUARY 2003 - REVISED SEPTEMBER 2003

- 1.65-V to 5.5-V V_{CC} Operation
- Useful for Both Analog and Digital Applications
- Specified Break-Before-Make Switching
- Rail-to-Rail Signal Handling
- High Degree of Linearity
- High Speed, Typically 0.5 ns ($V_{CC} = 3\text{ V}$, $C_L = 50\text{ pF}$)
- Low On-State Resistance, Typically $\approx 6\ \Omega$ ($V_{CC} = 4.5\text{ V}$)
- Latch-Up Performance Exceeds 100 mA Per JESD 78, Class II
- ESD Protection Exceeds JESD 22
 - 2000-V Human-Body Model (A114-A)
 - 200-V Machine Model (A115-A)
 - 1000-V Charged-Device Model (C101)

DBV OR DCK PACKAGE
(TOP VIEW)



YEP OR YZP PACKAGE
(BOTTOM VIEW)



description/ordering information

This single-pole, double-throw (SPDT) analog switch is designed for 1.65-V to 5.5-V V_{CC} operation.

The SN74LVC1G3157 can handle both analog and digital signals. The device permits signals with amplitudes of up to V_{CC} (peak) to be transmitted in either direction.

Applications include signal gating, chopping, modulation or demodulation (modem), and signal multiplexing for analog-to-digital and digital-to-analog conversion systems.

ORDERING INFORMATION

T_A	PACKAGE†		ORDERABLE PART NUMBER	TOP-SIDE MARKING‡
-40°C to 85°C	NanoStar™ – WCSP (DSBGA) 0.23-mm Large Bump – YEP	Tape and reel	SN74LVC1G3157YEPR	---C5_
	NanoFree™ – WCSP (DSBGA) 0.23-mm Large Bump – YZP (Pb-free)		SN74LVC1G3157YZPR	
	SOT (SOT-23) – DBV	Tape and reel	SN74LVC1G3157DBVR	CC5_
	SOT (SC-70) – DCK	Tape and reel	SN74LVC1G3157DCKR	C5_

† Package drawings, standard packing quantities, thermal data, symbolization, and PCB design guidelines are available at www.ti.com/sc/package.

‡ DBV/DCK: The actual top-side marking has one additional character that designates the assembly/test site.

YEP/YZP: The actual top-side marking has three preceding characters to denote year, month, and sequence code, and one following character to designate the assembly/test site. Pin 1 identifier indicates solder-bump composition (1 = SnPb, ● = Pb-free).



Please be aware that an important notice concerning availability, standard warranty, and use in critical applications of Texas Instruments semiconductor products and disclaimers thereto appears at the end of this data sheet.

PRODUCTION DATA information is current as of publication date. Products conform to specifications per the terms of Texas Instruments standard warranty. Production processing does not necessarily include testing of all parameters.

 **TEXAS
INSTRUMENTS**

POST OFFICE BOX 655303 • DALLAS, TEXAS 75265

Copyright © 2003, Texas Instruments Incorporated

SN74LVC1G3157

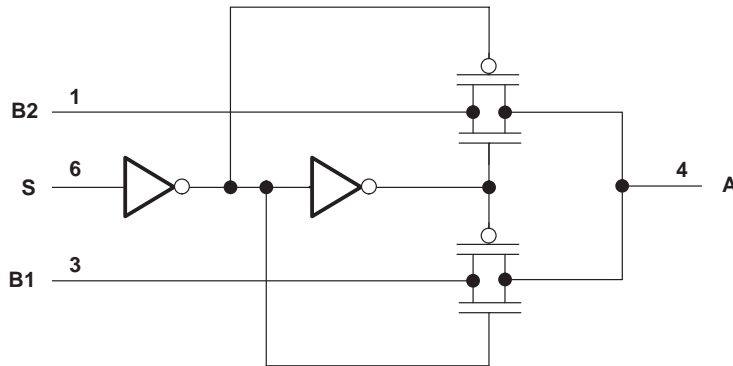
SINGLE-POLE, DOUBLE-THROW ANALOG SWITCH

SCES424C – JANUARY 2003 - REVISED SEPTEMBER 2003

FUNCTION TABLE

CONTROL INPUT S	ON CHANNEL
L	B1
H	B2

logic diagram (positive logic)



absolute maximum ratings over operating free-air temperature range (unless otherwise noted)[†]

Supply voltage range, V_{CC} (see Note 1)	-0.5 V to 6.5 V
Control input voltage range, V_{IN} (see Notes 1 and 2)	-0.5 V to 6.5 V
Switch I/O voltage range, $V_{I/O}$ (see Notes 1, 2, 3, and 4)	-0.5 V to $V_{CC} + 0.5$ V
Control input clamp current, I_{IK} ($V_{IN} < 0$)	-50 mA
I/O port diode current, $I_{I/O}$ ($V_{I/O} < 0$ or $V_{I/O} > V_{CC}$)	± 50 mA
On-state switch current, $I_{I/O}$ ($V_{I/O} = 0$ to V_{CC}) (see Note 5)	± 128 mA
Continuous current through V_{CC} or GND	± 100 mA
Package thermal impedance, θ_{JA} (see Note 6):	
DBV package	165°C/W
DCK package	259°C/W
YEP/YZP package	123°C/W
Storage temperature range, T_{stg}	-65°C to 150°C

[†] Stresses beyond those listed under “absolute maximum ratings” may cause permanent damage to the device. These are stress ratings only, and functional operation of the device at these or any other conditions beyond those indicated under “recommended operating conditions” is not implied. Exposure to absolute-maximum-rated conditions for extended periods may affect device reliability.

- NOTES:
- All voltages are with respect to ground unless otherwise specified.
 - The input and output voltage ratings may be exceeded if the input and output clamp-current ratings are observed.
 - This value is limited to 5.5 V maximum.
 - V_I , V_O , V_A , and V_{Bn} are used to denote specific conditions for $V_{I/O}$.
 - I_I , I_O , I_A , and I_{Bn} are used to denote specific conditions for $I_{I/O}$.
 - The package thermal impedance is calculated in accordance with JESD 51-7.

SN74LVC1G3157

SINGLE-POLE, DOUBLE-THROW ANALOG SWITCH

SCES424C – JANUARY 2003 - REVISED SEPTEMBER 2003

recommended operating conditions (see Note 7)

		MIN	MAX	UNIT
V _{CC}		1.65	5.5	V
V _{I/O}		0	V _{CC}	V
V _{IN}		0	5.5	V
V _{IH}	High-level input voltage, control input	V _{CC} = 1.65 V to 1.95 V	V _{CC} × 0.75	V
		V _{CC} = 2.3 V to 5.5 V	V _{CC} × 0.7	
V _{IL}	Low-level input voltage, control input	V _{CC} = 1.65 V to 1.95 V	V _{CC} × 0.25	V
		V _{CC} = 2.3 V to 5.5 V	V _{CC} × 0.3	
Δt/Δv	Input transition rise/fall time	V _{CC} = 1.65 V to 1.95 V	20	ns/V
		V _{CC} = 2.3 V to 2.7 V	20	
		V _{CC} = 3 V to 3.6 V	10	
		V _{CC} = 4.5 V to 5.5 V	10	
T _A		-40	85	°C

NOTE 7: All unused inputs of the device must be held at V_{CC} or GND to ensure proper device operation. Refer to the TI application report, *Implications of Slow or Floating CMOS Inputs*, literature number SCBA004.

SN74LVC1G3157

SINGLE-POLE, DOUBLE-THROW ANALOG SWITCH

SCES424C – JANUARY 2003 - REVISED SEPTEMBER 2003

electrical characteristics over recommended operating free-air temperature range (unless otherwise noted)

PARAMETER		TEST CONDITIONS		V _{CC}	MIN	TYP†	MAX	UNIT
r _{on}	On-state switch resistance‡	See Figures 1 and 2	V _I = 0 V	I _O = 4 mA	1.65 V	11	20	Ω
			V _I = 1.65 V	I _O = -4 mA		15	50	
			V _I = 0 V	I _O = 8 mA	2.3 V	8	12	
			V _I = 2.3 V	I _O = -8 mA		11	30	
			V _I = 0 V	I _O = 24 mA	3 V	7	9	
			V _I = 3 V	I _O = -24 mA		9	20	
			V _I = 0 V	I _O = 30 mA	4.5 V	6	7	
			V _I = 2.4 V	I _O = -30 mA		7	12	
V _I = 4.5 V	I _O = -30 mA		7	15				
r _{range}	On-state switch resistance over signal range‡§	0 ≤ V _{Bn} ≤ V _{CC} (see Figures 1 and 2)	I _A = -4 mA	1.65 V			140	Ω
			I _A = -8 mA	2.3 V			45	
			I _A = -24 mA	3 V			18	
			I _A = -30 mA	4.5 V			10	
Δr _{on}	Difference of on-state resistance between switches†¶#	See Figure 1	V _{Bn} = 1.15 V	I _A = -4 mA	1.65 V		0.5	Ω
			V _{Bn} = 1.6 V	I _A = -8 mA	2.3 V		0.1	
			V _{Bn} = 2.1 V	I _A = -24 mA	3 V		0.1	
			V _{Bn} = 3.15 V	I _A = -30 mA	4.5 V		0.1	
r _{on(flat)}	ON resistance flatness†¶	0 ≤ V _{Bn} ≤ V _{CC}	I _A = -4 mA	1.65 V			110	Ω
			I _A = -8 mA	2.3 V			26	
			I _A = -24 mA	3 V			9	
			I _A = -30 mA	4.5 V			4	
I _{off} *†	Off-state switch leakage current	0 ≤ V _I , V _O ≤ V _{CC} . (see Figure 3)		1.65 V to 5.5 V			±1 ±0.05	μA
I _{S(on)}	On-state switch leakage current	V _I = V _{CC} or GND, V _O = Open (see Figure 4)		5.5 V			±1 ±0.1†	μA
I _{IN}	Control input current	0 ≤ V _{IN} ≤ V _{CC}		0 V to 5.5 V			±1 ±0.05	μA
I _{CC}	Supply current	V _{IN} = V _{CC} or GND		5.5 V		1	10	μA
ΔI _{CC}	Supply-current change	V _{IN} = V _{CC} - 0.6 V		5.5 V			500	μA
C _{in}	Control input capacitance	S		5 V		2.7		pF
C _{io(off)}	Switch input/output capacitance	Bn		5 V		5.2		pF
C _{io(on)}	Switch input/output capacitance	Bn		5 V		17.3		pF
		A			17.3			

† T_A = 25°C

‡ Measured by the voltage drop between I/O pins at the indicated current through the switch. ON resistance is determined by the lower of the voltages on the two (A or B) ports.

§ Specified by design

¶ Δr_{on} = r_{on(max)} - r_{on(min)} measured at identical V_{CC}, temperature, and voltage levels.

This parameter is characterized, but not tested in production.

|| Flatness is defined as the difference between the maximum and minimum values of ON resistance over the specified range of conditions.

* I_{off} is the same as I_{S(off)} (off-state switch leakage current).



SN74LVC1G3157

SINGLE-POLE, DOUBLE-THROW ANALOG SWITCH

SCES424C – JANUARY 2003 - REVISED SEPTEMBER 2003

analog switch characteristics, $T_A = 25^\circ\text{C}$

PARAMETER	FROM (INPUT)	TO (OUTPUT)	TEST CONDITIONS	V _{CC}	TYP	UNIT
Frequency response (switch on) [†]	A or Bn	Bn or A	R _L = 50 Ω, f _{in} = sine wave (see Figure 6)	1.65 V	300	MHz
				2.3 V	300	
				3 V	300	
				4.5 V	300	
Crosstalk (between switches) [‡]	B1 or B2	B2 or B1	R _L = 50 Ω, f _{in} = 10 MHz (sine wave) (see Figure 7)	1.65 V	-54	dB
				2.3 V	-54	
				3 V	-54	
				4.5 V	-54	
Feed-through attenuation (switch off) [‡]	A or Bn	Bn or A	C _L = 5 pF, R _L = 50 Ω, f _{in} = 10 MHz (sine wave) (see Figure 8)	1.65 V	-57	dB
				2.3 V	-57	
				3 V	-57	
				4.5 V	-57	
Charge injection [§]	S	A	C _L = 0.1 nF, R _L = 1 MΩ, (see Figure 9)	3.3 V	3	pC
				5 V	7	
Total harmonic distortion	A or Bn	Bn or A	V _I = 0.5 V p-p, R _L = 600 Ω, f _{in} = 600 Hz to 20 kHz (sine wave) (see Figure 10)	1.65 V	0.1	%
				2.3 V	0.025	
				3 V	0.015	
				4.5 V	0.01	

[†] Adjust f_{in} voltage to obtain 0 dBm at output. Increase f_{in} frequency until dB meter reads -3 dB.

[‡] Adjust f_{in} voltage to obtain 0 dBm at input.

[§] Specified by design

switching characteristics over recommended operating free-air temperature range (unless otherwise noted) (see Figures 5 and 11)

PARAMETER	FROM (INPUT)	TO (OUTPUT)	V _{CC} = 1.8 V ± 0.15 V		V _{CC} = 2.5 V ± 0.2 V		V _{CC} = 3.3 V ± 0.3 V		V _{CC} = 5 V ± 0.5 V		UNIT
			MIN	MAX	MIN	MAX	MIN	MAX	MIN	MAX	
t _{pd} [¶]	A or Bn	Bn or A	2		1.2		0.8		0.3		ns
t _{en} [#]	S	Bn	7	24	3.5	14	2.5	7.6	1.7	5.7	ns
t _{dis}			3	13	2	7.5	1.5	5.3	0.8	3.8	
t _{B-M} [*]			0.5		0.5		0.5		0.5		ns

[¶] t_{pd} is the slower of t_{PLH} or t_{PHL}. The propagation delay is calculated RC time constant of the typical on-state resistance of the switch and the specified load capacitance when driven by an ideal voltage source (zero output impedance).

[#] t_{en} is the slower of t_{PZL} or t_{PZH}.

^{||} t_{dis} is the slower of t_{PLZ} or t_{PHZ}.

^{*} Specified by design

SN74LVC1G3157 SINGLE-POLE, DOUBLE-THROW ANALOG SWITCH

SCES424C – JANUARY 2003 - REVISED SEPTEMBER 2003

PARAMETER MEASUREMENT INFORMATION

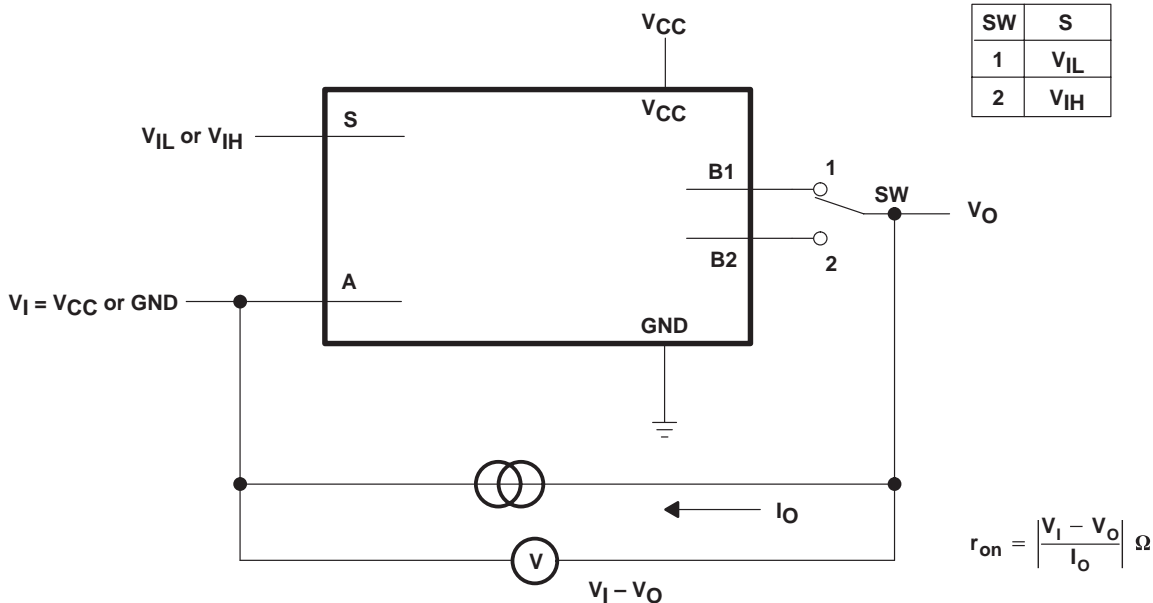


Figure 1. On-State Resistance Test Circuit

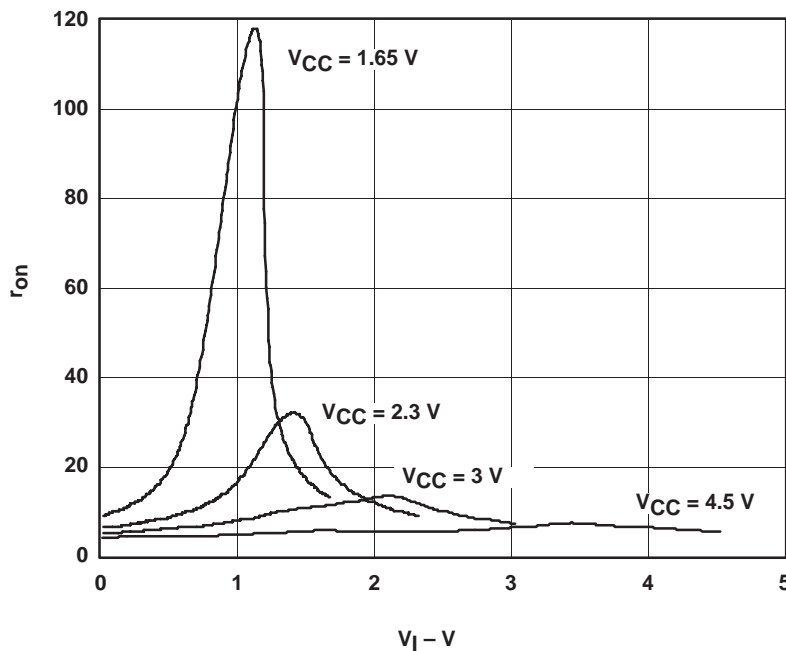
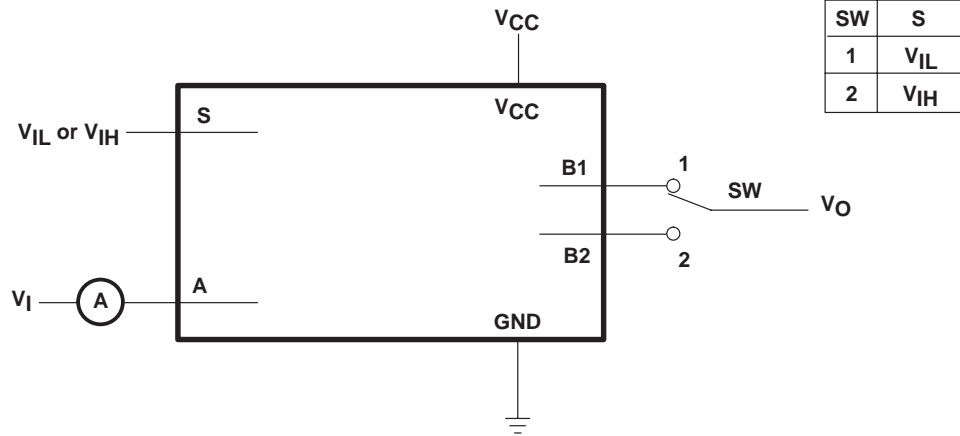


Figure 2. Typical r_{on} as a Function of Input Voltage (V_I) for $V_I = 0$ to V_{CC}

PARAMETER MEASUREMENT INFORMATION



Condition 1: V_I = GND, V_O = V_{CC}
Condition 2: V_I = V_{CC}, V_O = GND

Figure 3. Off-State Switch Leakage-Current Test Circuit

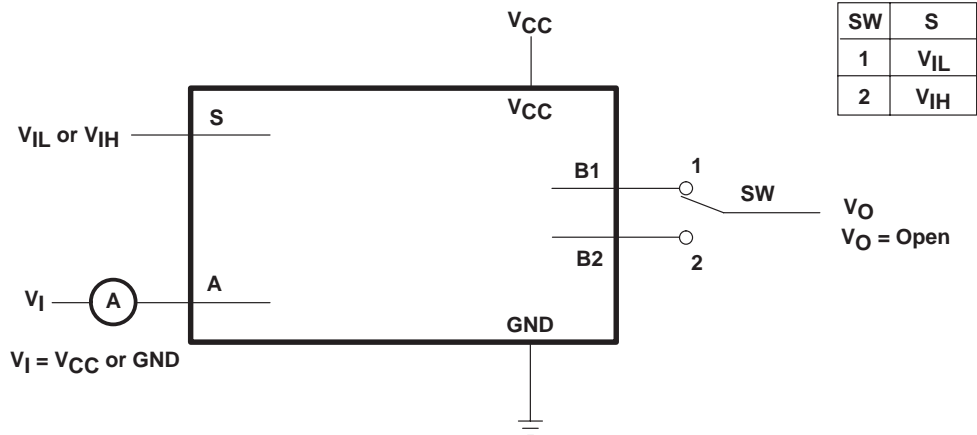
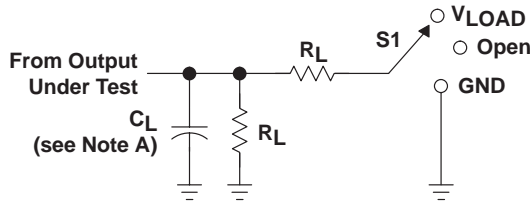


Figure 4. On-State Switch Leakage-Current Test Circuit

SN74LVC1G3157 SINGLE-POLE, DOUBLE-THROW ANALOG SWITCH

SCES424C – JANUARY 2003 - REVISED SEPTEMBER 2003

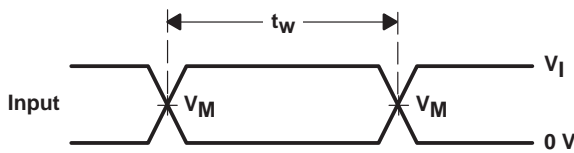
PARAMETER MEASUREMENT INFORMATION



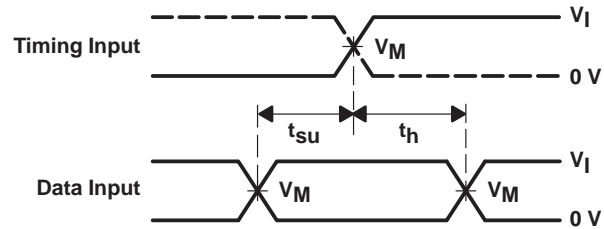
LOAD CIRCUIT

TEST	S1
t _{PLH} /t _{PHL}	Open
t _{PLZ} /t _{PZL}	V _{LOAD}
t _{PHZ} /t _{PZH}	GND

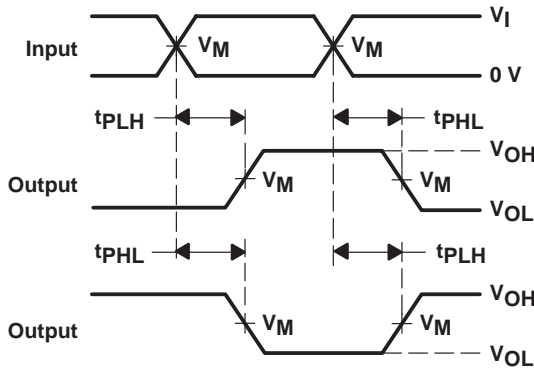
V _{CC}	INPUTS		V _M	V _{LOAD}	C _L	R _L	V _Δ
	V _I	t _r /t _f					
1.8 V ± 0.15 V	V _{CC}	≤ 2 ns	V _{CC} /2	2 × V _{CC}	50 pF	500 Ω	0.3 V
2.5 V ± 0.2 V	V _{CC}	≤ 2 ns	V _{CC} /2	2 × V _{CC}	50 pF	500 Ω	0.3 V
3.3 V ± 0.3 V	V _{CC}	≤ 2.5 ns	V _{CC} /2	2 × V _{CC}	50 pF	500 Ω	0.3 V
5 V ± 0.5 V	V _{CC}	≤ 2.5 ns	V _{CC} /2	2 × V _{CC}	50 pF	500 Ω	0.3 V



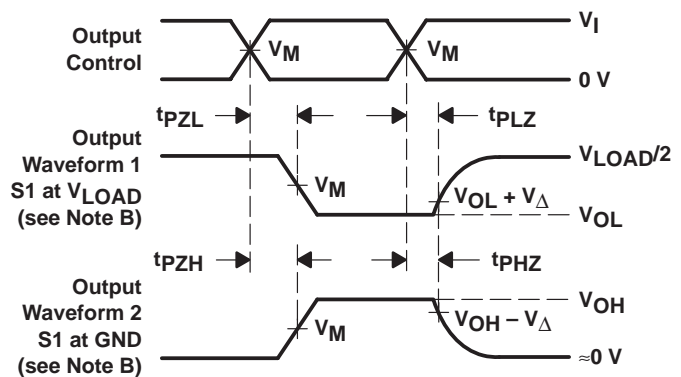
VOLTAGE WAVEFORMS
PULSE DURATION



VOLTAGE WAVEFORMS
SETUP AND HOLD TIMES



VOLTAGE WAVEFORMS
PROPAGATION DELAY TIMES
INVERTING AND NONINVERTING OUTPUTS



VOLTAGE WAVEFORMS
ENABLE AND DISABLE TIMES
LOW- AND HIGH-LEVEL ENABLING

- NOTES:
- A. C_L includes probe and jig capacitance.
 - B. Waveform 1 is for an output with internal conditions such that the output is low except when disabled by the output control. Waveform 2 is for an output with internal conditions such that the output is high except when disabled by the output control.
 - C. All input pulses are supplied by generators having the following characteristics: PRR ≤ 10 MHz, Z_O = 50 Ω.
 - D. The outputs are measured one at a time with one transition per measurement.
 - E. t_{PLZ} and t_{PHZ} are the same as t_{dis}.
 - F. t_{PZL} and t_{PZH} are the same as t_{en}.
 - G. t_{PLH} and t_{PHL} are the same as t_{pd}.
 - H. All parameters and waveforms are not applicable to all devices.

Figure 5. Load Circuit and Voltage Waveforms

PARAMETER MEASUREMENT INFORMATION

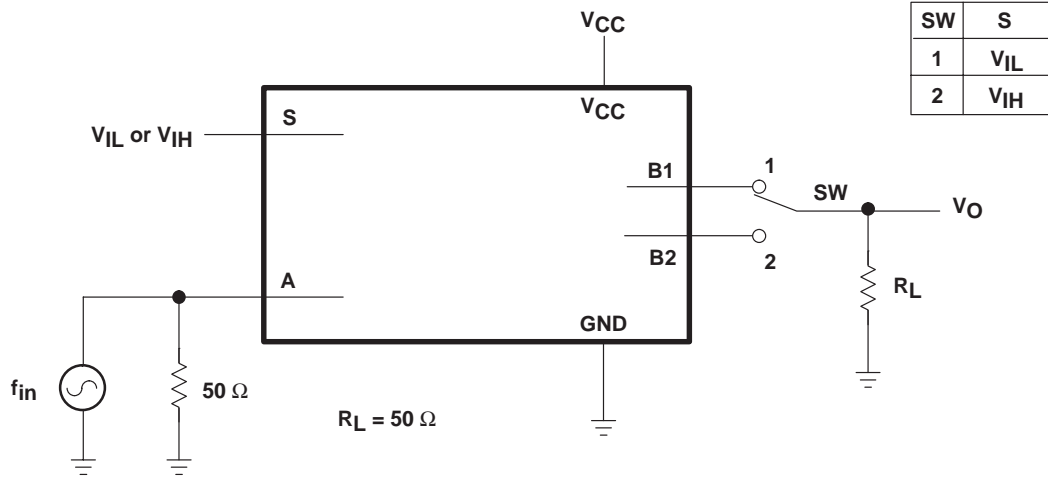


Figure 6. Frequency Response (Switch On)

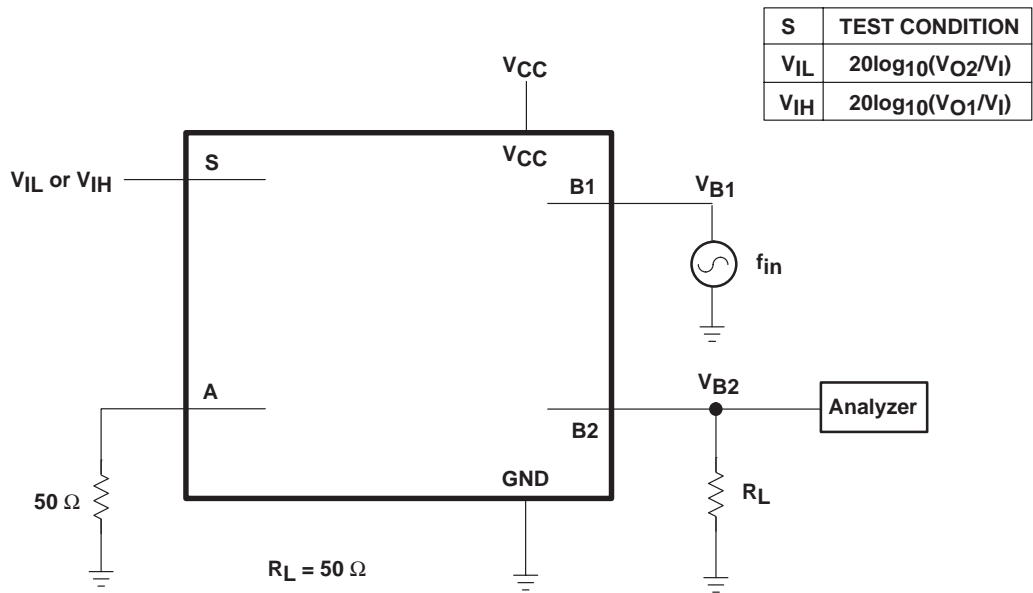


Figure 7. Crosstalk (Between Switches)

SN74LVC1G3157 SINGLE-POLE, DOUBLE-THROW ANALOG SWITCH

SCES424C – JANUARY 2003 - REVISED SEPTEMBER 2003

PARAMETER MEASUREMENT INFORMATION

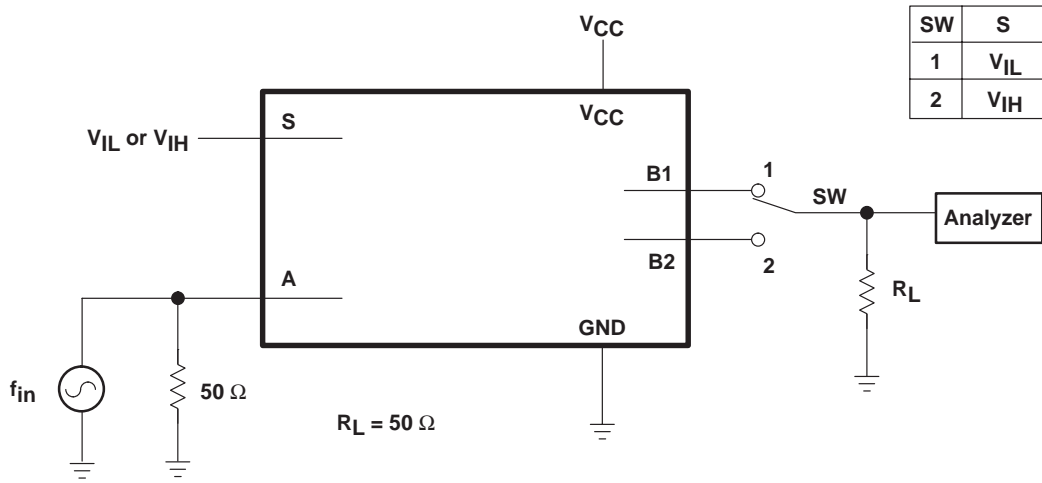


Figure 8. Feed Through

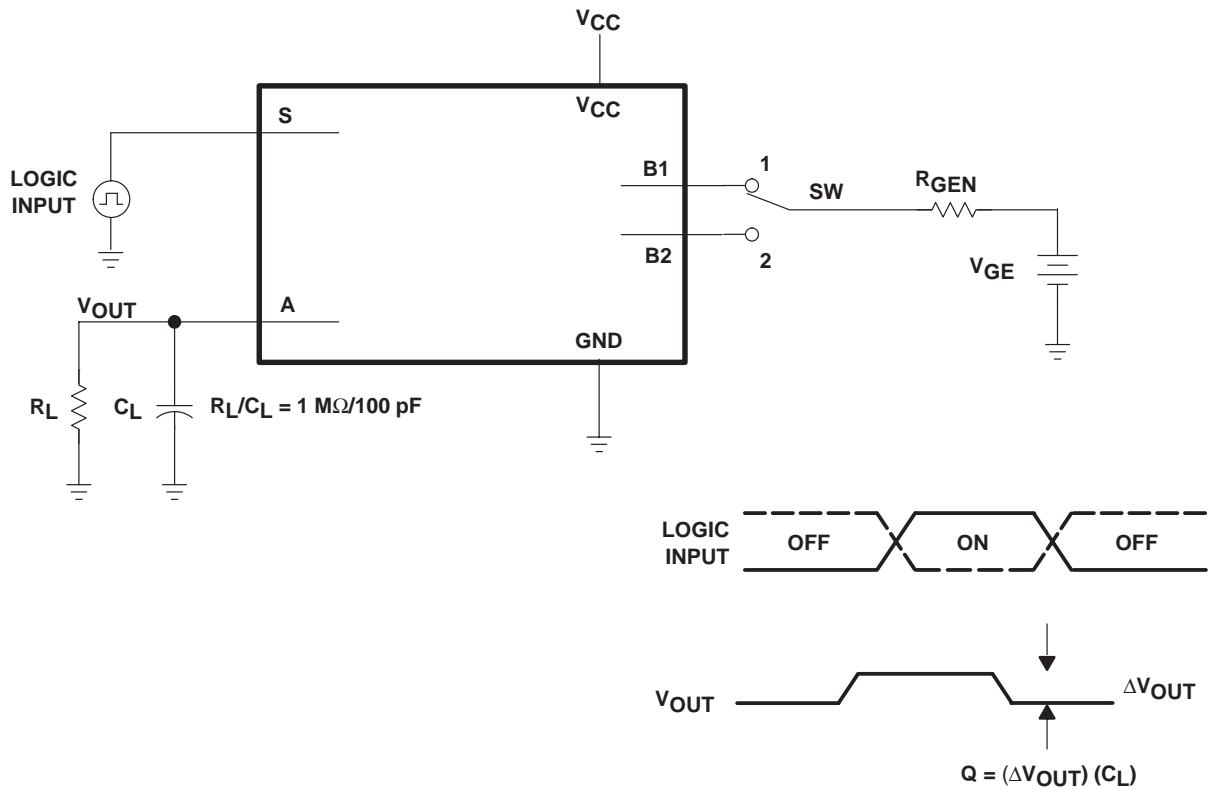


Figure 9. Charge-Injection Test

PARAMETER MEASUREMENT INFORMATION

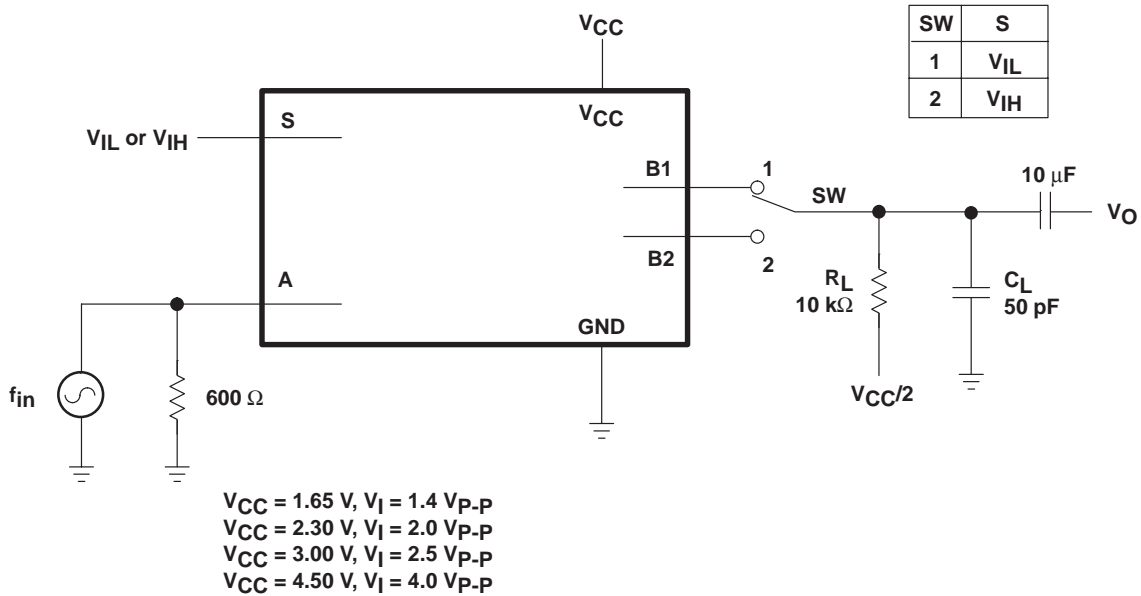


Figure 10. Total Harmonic Distortion

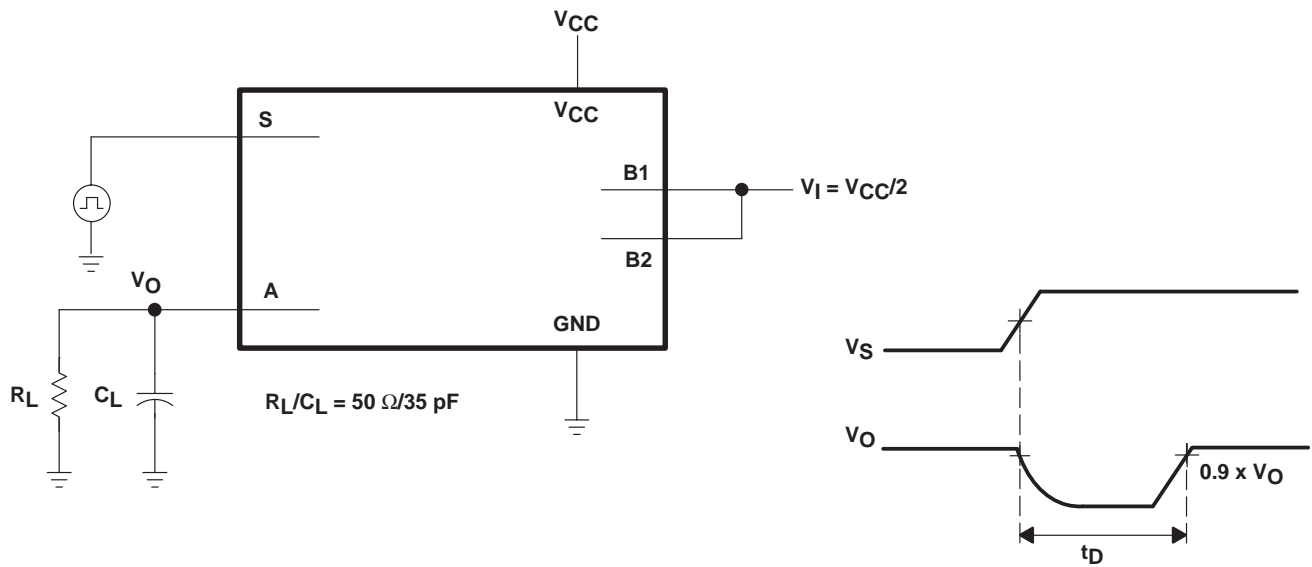
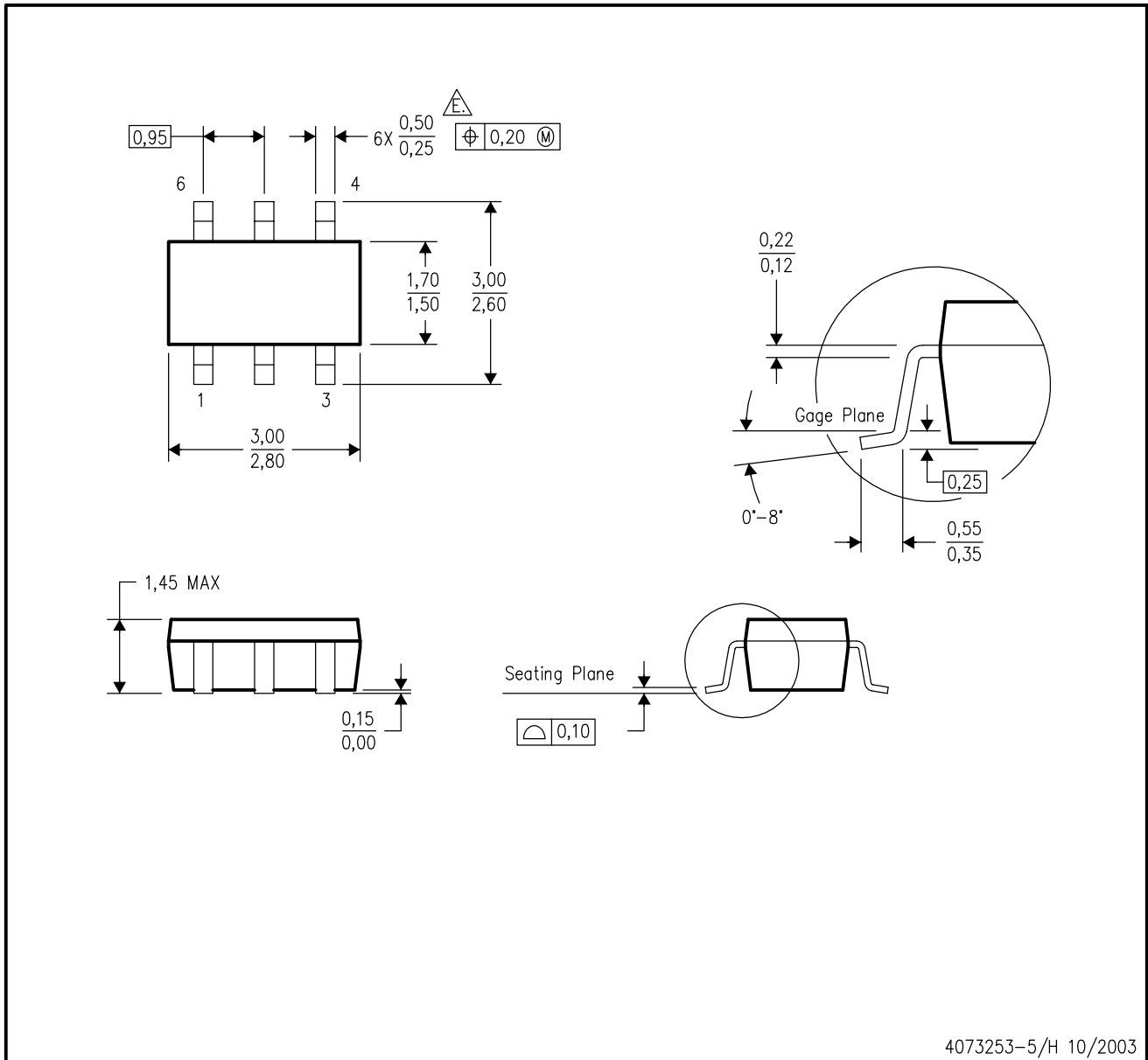



Figure 11. Break-Before-Make Internal Timing

DBV (R-PDSO-G6)

PLASTIC SMALL-OUTLINE PACKAGE

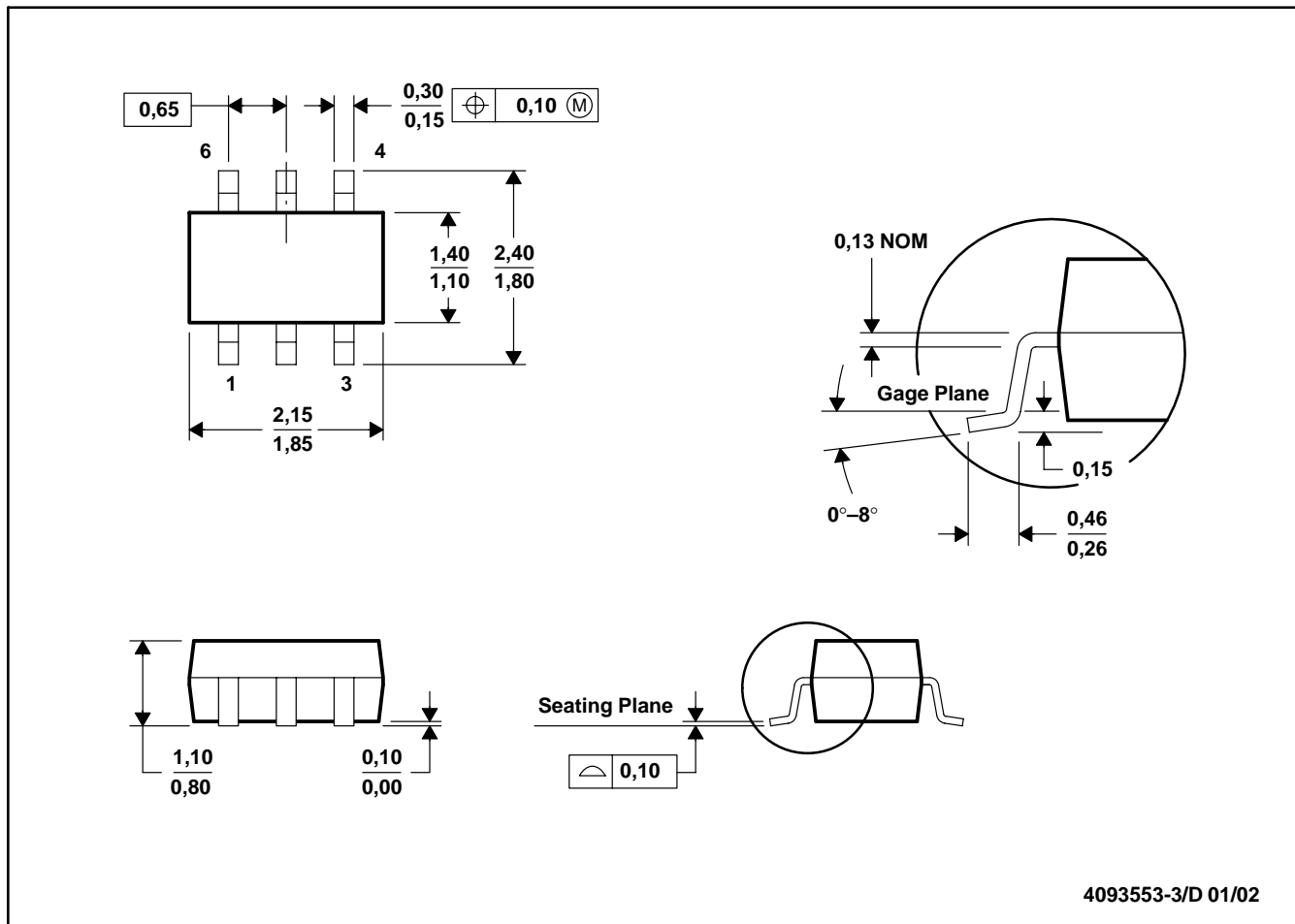


4073253-5/H 10/2003

- NOTES:
- A. All linear dimensions are in millimeters.
 - B. This drawing is subject to change without notice.
 - C. Body dimensions do not include mold flash or protrusion.
 - D. Leads 1,2,3 may be wider than leads 4,5,6 for package orientation.
 -  Falls within JEDEC MO-178 Variation AB, except minimum lead width.

DCK (R-PDSO-G6)

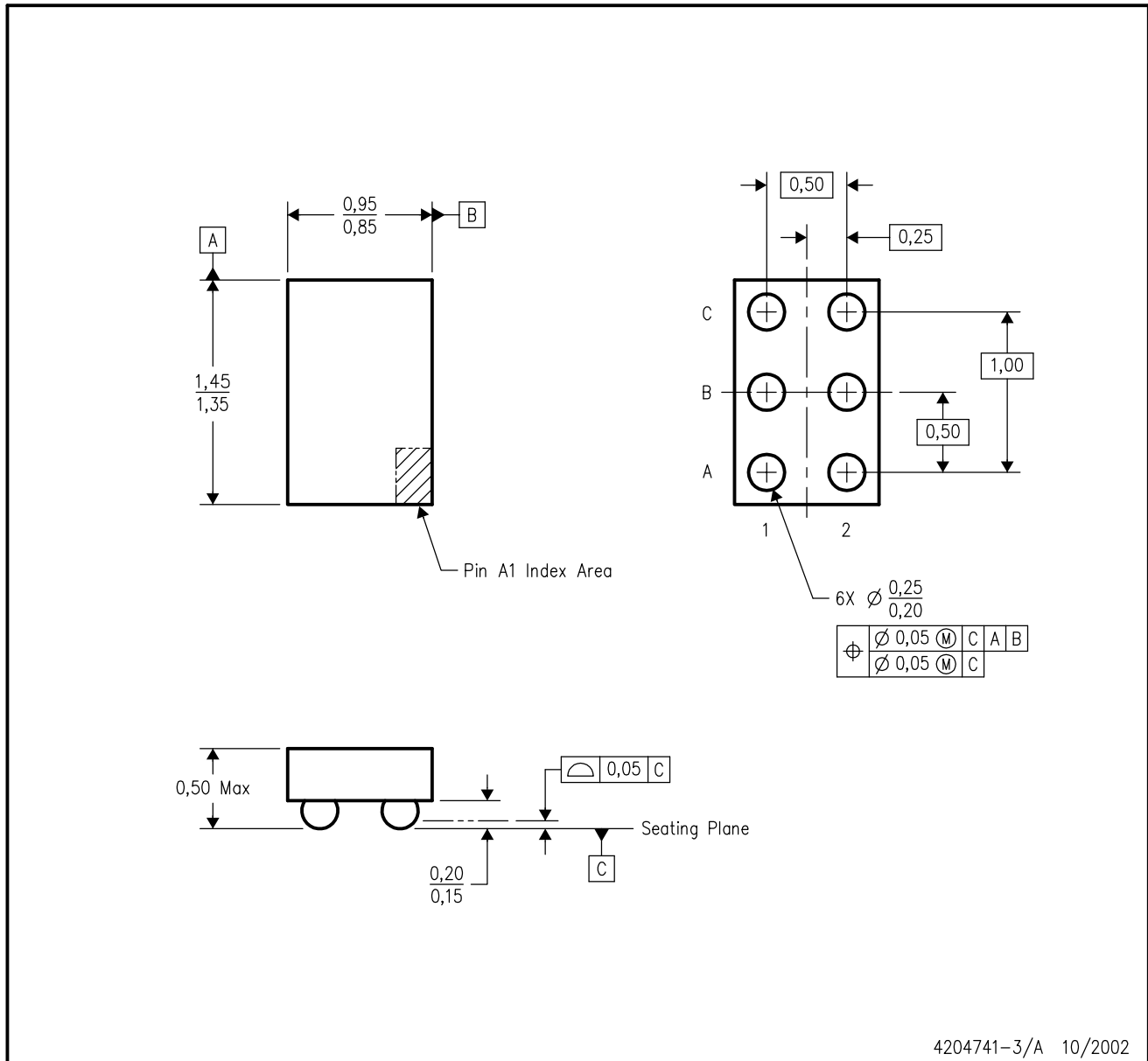
PLASTIC SMALL-OUTLINE PACKAGE



- NOTES: A. All linear dimensions are in millimeters.
 B. This drawing is subject to change without notice.
 C. Body dimensions do not include mold flash or protrusion.
 D. Falls within JEDEC MO-203

YZP (R-XBGA-N6)

DIE-SIZE BALL GRID ARRAY

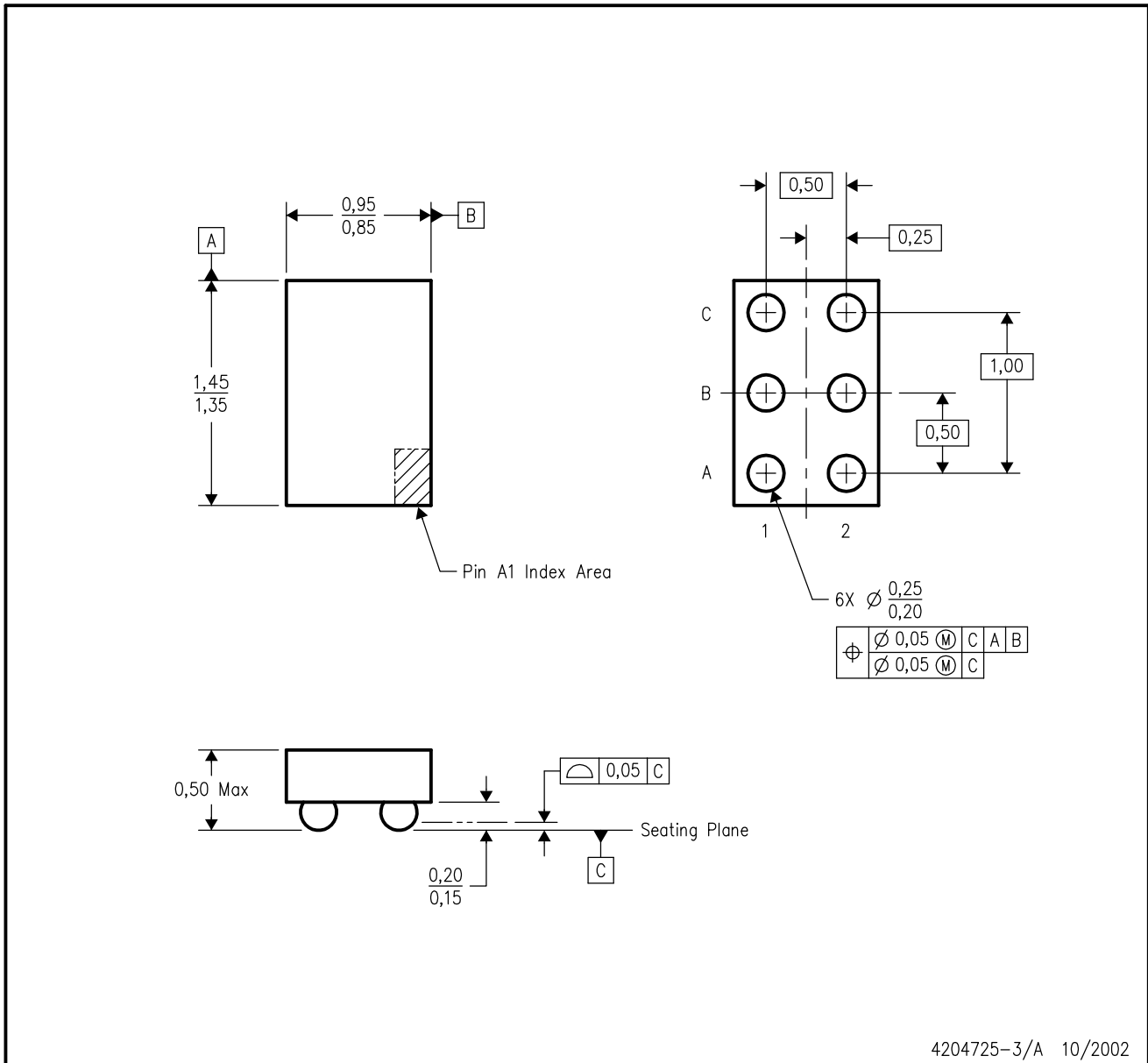


- NOTES:
- A. All linear dimensions are in millimeters.
 - B. This drawing is subject to change without notice.
 - C. NanoFree™ package configuration.
 - D. This package is lead-free. Refer to the 6 YEP package (drawing 4204725) for tin-lead (SnPb).

NanoFree is a trademark of Texas Instruments.

YEP (R-XBGA-N6)

DIE-SIZE BALL GRID ARRAY



4204725-3/A 10/2002

- NOTES:
- A. All linear dimensions are in millimeters.
 - B. This drawing is subject to change without notice.
 - C. NanoStar™ package configuration.
 - D. This package is tin-lead (SnPb). Refer to the 6 YZP package (drawing 4204741) for lead-free.

NanoStar is a trademark of Texas Instruments.

IMPORTANT NOTICE

Texas Instruments Incorporated and its subsidiaries (TI) reserve the right to make corrections, modifications, enhancements, improvements, and other changes to its products and services at any time and to discontinue any product or service without notice. Customers should obtain the latest relevant information before placing orders and should verify that such information is current and complete. All products are sold subject to TI's terms and conditions of sale supplied at the time of order acknowledgment.

TI warrants performance of its hardware products to the specifications applicable at the time of sale in accordance with TI's standard warranty. Testing and other quality control techniques are used to the extent TI deems necessary to support this warranty. Except where mandated by government requirements, testing of all parameters of each product is not necessarily performed.

TI assumes no liability for applications assistance or customer product design. Customers are responsible for their products and applications using TI components. To minimize the risks associated with customer products and applications, customers should provide adequate design and operating safeguards.

TI does not warrant or represent that any license, either express or implied, is granted under any TI patent right, copyright, mask work right, or other TI intellectual property right relating to any combination, machine, or process in which TI products or services are used. Information published by TI regarding third-party products or services does not constitute a license from TI to use such products or services or a warranty or endorsement thereof. Use of such information may require a license from a third party under the patents or other intellectual property of the third party, or a license from TI under the patents or other intellectual property of TI.

Reproduction of information in TI data books or data sheets is permissible only if reproduction is without alteration and is accompanied by all associated warranties, conditions, limitations, and notices. Reproduction of this information with alteration is an unfair and deceptive business practice. TI is not responsible or liable for such altered documentation.

Resale of TI products or services with statements different from or beyond the parameters stated by TI for that product or service voids all express and any implied warranties for the associated TI product or service and is an unfair and deceptive business practice. TI is not responsible or liable for any such statements.

Following are URLs where you can obtain information on other Texas Instruments products and application solutions:

Products		Applications	
Amplifiers	amplifier.ti.com	Audio	www.ti.com/audio
Data Converters	dataconverter.ti.com	Automotive	www.ti.com/automotive
DSP	dsp.ti.com	Broadband	www.ti.com/broadband
Interface	interface.ti.com	Digital Control	www.ti.com/digitalcontrol
Logic	logic.ti.com	Military	www.ti.com/military
Power Mgmt	power.ti.com	Optical Networking	www.ti.com/opticalnetwork
Microcontrollers	microcontroller.ti.com	Security	www.ti.com/security
		Telephony	www.ti.com/telephony
		Video & Imaging	www.ti.com/video
		Wireless	www.ti.com/wireless

Mailing Address: Texas Instruments
Post Office Box 655303 Dallas, Texas 75265

Copyright © 2003, Texas Instruments Incorporated