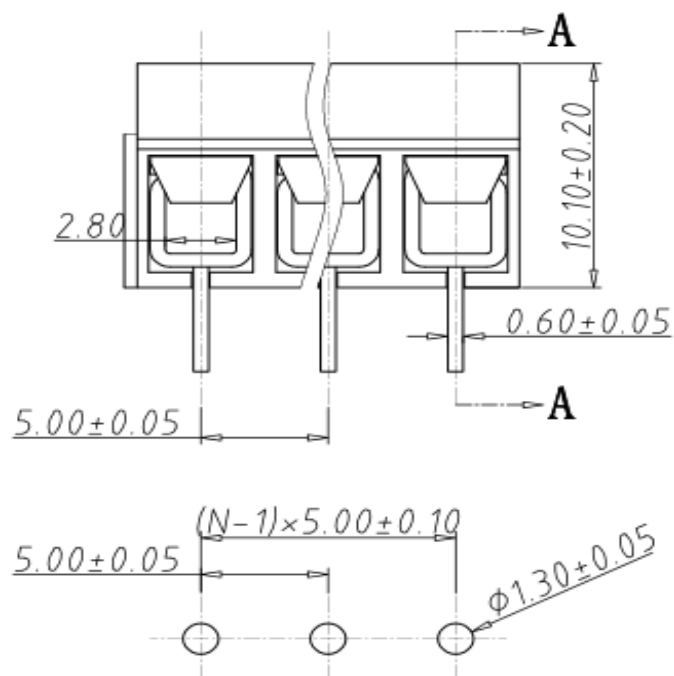
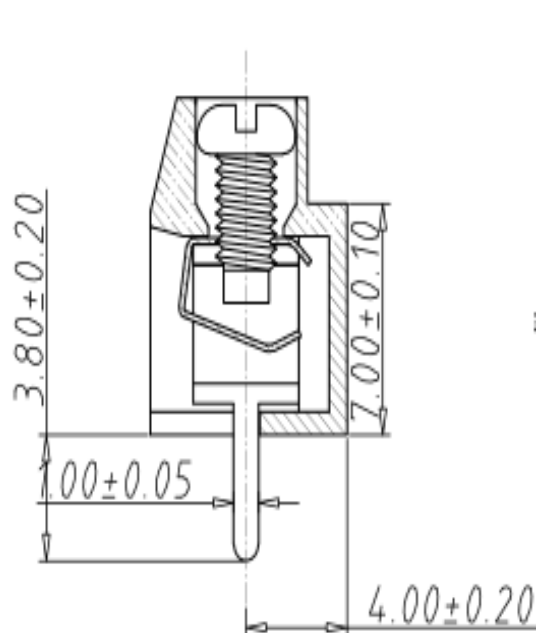


产品型号	MODEL	WJ126V-5.0-6P
材质&电镀	MATERIAL	
螺丝	Screw	M2.0, 钢, 镀锌 Steel, Zinc Plated
方盒	Clamp	黄铜, 镀镍 Brass, Ni plated
焊针	Pin header	黄铜, 镀锡 Brass, Tin plated
塑件	Housing	PA66, UL94V-0
电气性能	ELECTRICAL	
额定电压	Rated voltage	300V
额定电流	Rated current	10A
接触电阻	Contact resistance	20mΩ
绝缘电阻	Insulation resistance	5000MΩ/1000V
耐电压	Withstanding voltage	AC1500V/1min
使用线径	Wire range	24-14AWG 1.5mm
机械性能	MECHANICAL	
温度范围	Temp. range	-40°C~+105°C
瞬时温度	Max. soldering	+250°C, 5sec
扭矩	Torque	0.2N.m 1.7Lb.in
剥线长度	Strip length	5-6mm



P.C.B.LAYOUT