

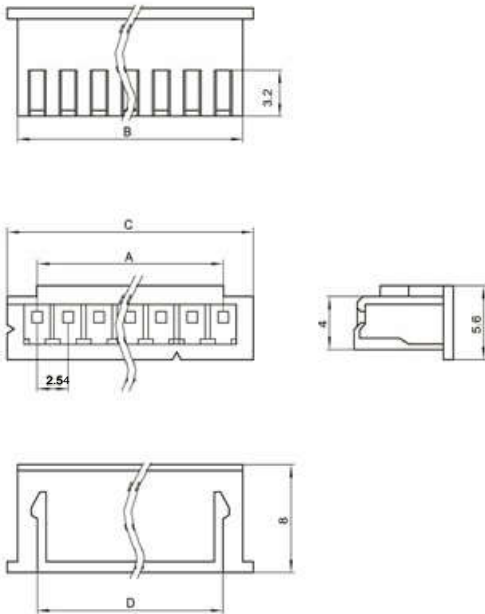
## ◆ SPECIFICATIONS

Unit:mm

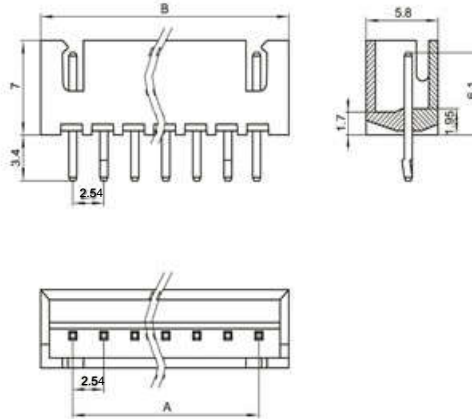
- ◇ Poles: 2~16
- ◇ Applicable wire: AWG#22-#32
- ◇ Voltage rating: 250V DC/AC
- ◇ Current rating: 3.0A
- ◇ Withstand voltage: 1000V AC
- ◇ Working Temperature: -25°C~+85°C
- ◇ Insulation resistance:  $\geq 1000M\Omega$
- ◇ Contact resistance:  $\leq 0.02\Omega$
- ◇ Applicable PC board thickness: 1.6mm

UL:Recognized No.E309635  
RoHS-specification and  
Halogen-free products

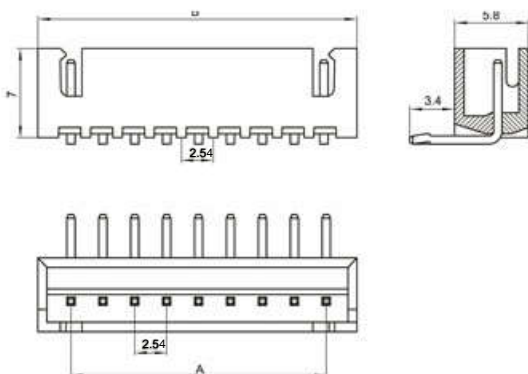
### XH-nY



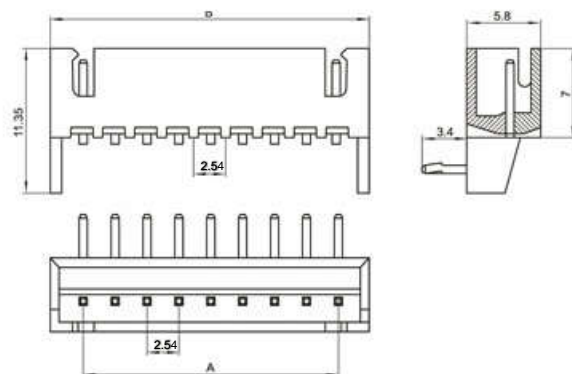
### XH-nA



### XH-nAW

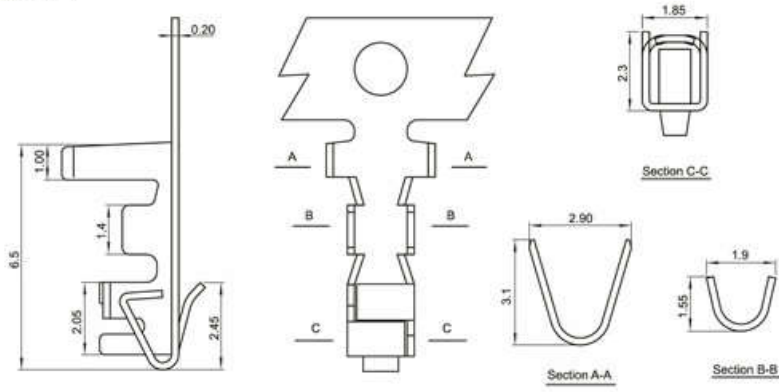


### XH-nAWD

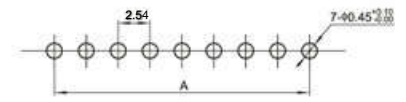
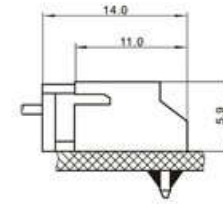
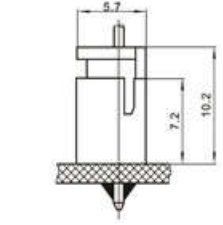


Unit:mm

## XH-PT



## Mounting Measurement



## Terminal(XH)

| Type  | Applicable wires |       | O.D of wire ins<br>mm | Material    | Finish     |
|-------|------------------|-------|-----------------------|-------------|------------|
|       | mm <sup>2</sup>  | AWG#  |                       |             |            |
| BM-XH | 0.08~0.3         | 24~32 | 1.2~1.9               | Phos.bronze | Tin-plated |