

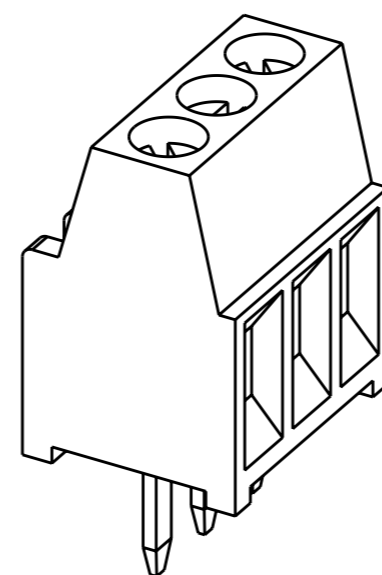
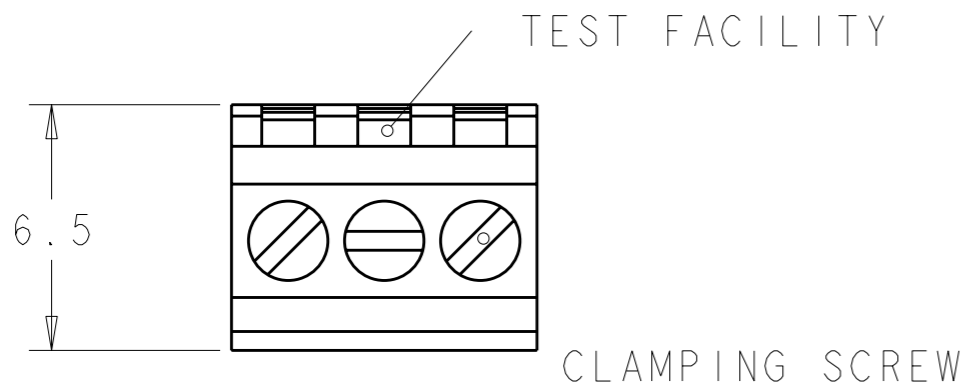
LOC  
FT

DIST  
0

P LTR

REVISIONS

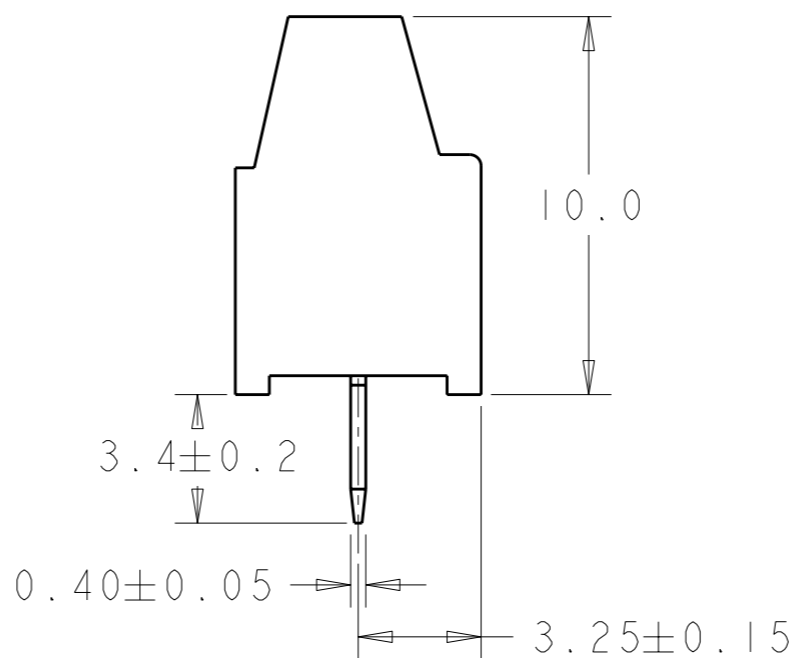
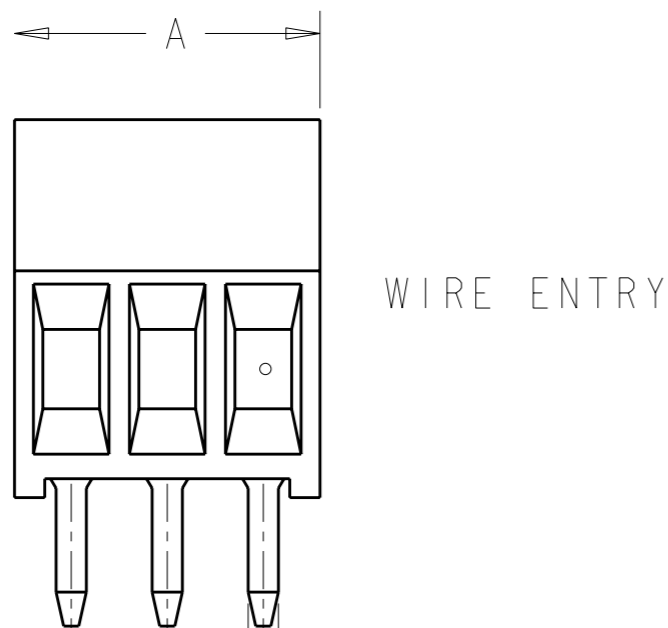
DESCRIPTION	DATE	DWN	APVD
CI REVISED PER ECO-11-007905	15APR2011	HMR	CR



282834-3 AS SHOWN

- 1 MATERIALS AND FINISH  
HOUSING: PA 6-6, UL 94-V0, COLOR GREEN.  
CLAMP: BRASS, NICKEL PLATED.  
TERMINAL: BRASS, TIN PLATED.  
CLAMPING SCREW: M1.6, STAINLESS STEEL.
- 2 SUITABLE FOR 1,6-2,4mm PC BOARD THICKNESS.
- 3 CONNECTION POWER  
SOLID WIRE: 0,03-1mm (17AWG).  
STRANDED WIRE: 0,03-0,75mm (18AWG)<sub>2</sub>

- 4 RECOGNIZED UNDER THE COMPONENT PROGRAM OF UNDERWRITERS LABORATORIES INC. FILE N° E60677.
- 5 POSSIBILITY TO PUT TWO OR THREE TERMINAL BLOCKS SIDE BY SIDE BY INCREASING THE DIAMETER OF THE PCB HOLES TO MINIMUM 1,3mm.
- 6 NOT CUMULATIVE TOLERANCE.
- 7 TORQUE: 1.73 in-lbs MAX



6 2.54±0.05

30.94	12	1-282834-2
28.40	11	1-282834-1
25.86	10	1-282834-0
23.32	9	282834-9
20.78	8	282834-8
18.24	7	282834-7
15.70	6	282834-6
13.16	5	282834-5
10.62	4	282834-4
8.08	3	282834-3
5.54	2	282834-2

RECOMMENDED PC BOARD LAYOUT

