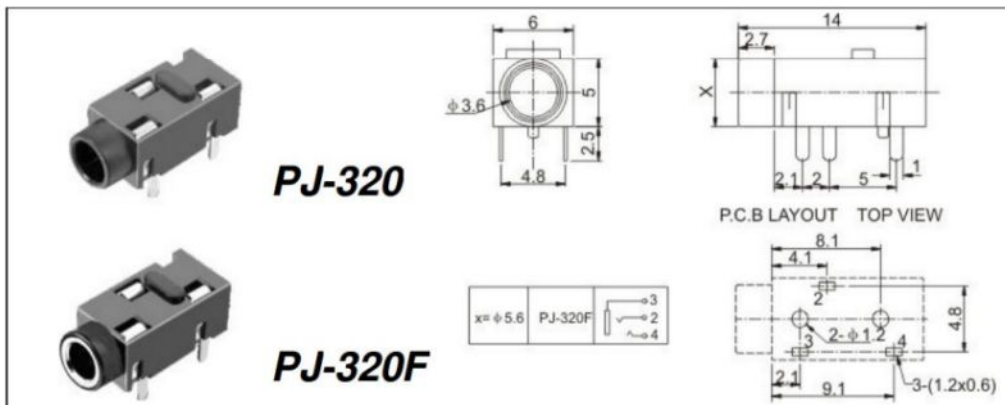
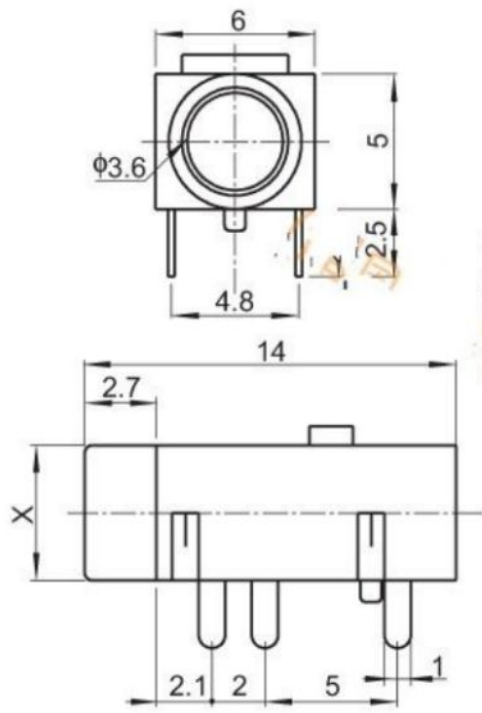


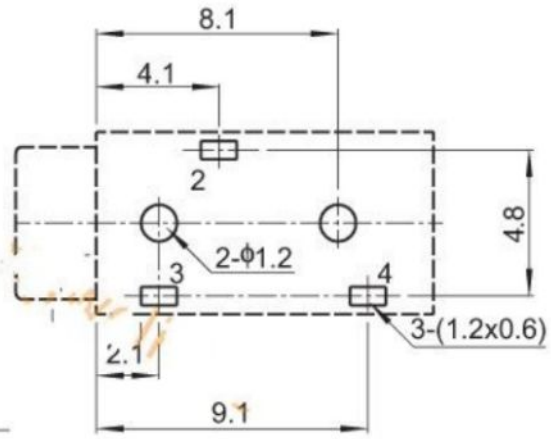
# PJ 320

Product	Headphone jack/Audio connector/3PIN/TH
Product Model	PJ320 / 3.5mm
Operating Temperature	-30 ~70
Rated Load	DC 30V 0.5A
Insulation Resistance	$\geq 100M$
Contact Resistance	$\leq 0.03$
Actuating Force	3~20N
Life Test	10000 times
Pressure	AC500V(50Hz)/min
Colour	Black





P.C.B LAYOUT TOP VIEW



x=φ5	PJ-320	
x=φ5.6	PJ-320F	