



# SP706R/S/T - SP708R/S/T

## 3.0V/3.3V Low Power Microprocessor Supervisory Circuits

April 2015

Rev. 3.0.0

### GENERAL DESCRIPTION

The SP706R/S/T and SP708R/S/T series is a family of microprocessor ( $\mu$ P) supervisory circuits that integrate myriad components involved in discrete solutions which monitor power-supply and battery in  $\mu$ P and digital systems.

The SP706R/S/T and SP708R/S/T series will significantly improve system reliability and operational efficiency when compared to solutions obtained with discrete components. The features of the SP706R/S/T and SP708R/S/T series include a watchdog timer, a  $\mu$ P reset, a Power Fail Comparator, and a manual-reset input.

The SP706R/S/T and SP708R/S/T series is ideal for 3.0V or 3.3V applications in automotive systems, computers, controllers, and intelligent instruments. The SP706R/S/T and SP708R/S/T series is an ideal solution for systems in which critical monitoring of the power supply to the  $\mu$ P and related digital components is demanded.

### APPLICATIONS

- Processors & DSPs Based Systems
- Industrial & Medical Instruments

### FEATURES

- **Precision Low Voltage Monitor**
  - SP706R/SP708R: +2.63V
  - SP706S/SP708S: +2.93V
  - SP706T/SP708T: +3.08V
- **200ms RESET Pulse Width**
  - SP706R/S/T: Active Low
  - SP708R/S/T: Active High and Active Low
- **Independent Watchdog Timer**
  - 1.6s Timeout (SP706R/S/T)
  - Enable/Disable Function
- **40 $\mu$ A Maximum Supply Current**
- **Debounced TTL/CMOS Manual Reset Input**
- **RESET Asserted Down to  $V_{CC}=1V$**
- **$V_{CC}$  Glitch Immunity**
- **Voltage Monitor for Power Failure or Low Battery Warning**
- **8-Pin NSOIC and MSOP Packages**
- **Pin Compatible with Industry Standards 706R/S/T and 708R/S/T**

Part Number	RESET Threshold	RESET Active	Manual RESET	Watchdog	PFI Accuracy
SP706R	2.63V	Low	Yes	Yes	4%
SP706S	2.93V	Low	Yes	Yes	4%
SP706T	3.08V	Low	Yes	Yes	4%
SP708R	2.63V	Low and High	Yes	No	4%
SP708S	2.93V	Low and High	Yes	No	4%
SP708T	3.08V	Low and High	Yes	No	4%



# SP706R/S/T - SP708R/S/T

## 3.0V/3.3V Low Power Microprocessor Supervisory Circuits

### ABSOLUTE MAXIMUM RATINGS

These are stress ratings only and functional operation of the device at these ratings or any other above those indicated in the operation sections of the specifications below is not implied. Exposure to absolute maximum rating conditions for extended periods of time may affect reliability.

V<sub>CC</sub> ..... -0.3V to 6.0V  
 All Other Inputs (Note 1) ..... -0.3V to (V<sub>CC</sub>+0.3V)  
 Input Current  
   V<sub>CC</sub> ..... 20mA  
   GND ..... 20mA  
 Output Current (All outputs) ..... 20mA

ESD Rating (HBM - Human Body Model) ..... 2kV  
 Continuous Power Dissipation  
   SO (derate 5.88mW/°C above +70°C) ..... 471mW  
   Mini SO (derate 4.10mW/°C above +70°C) ..... 330mW  
 Storage Temperature ..... -65°C to 160°C  
 Lead Temperature (Soldering, 10 sec) ..... 300°C

### ELECTRICAL SPECIFICATIONS

Unless otherwise indicated, V<sub>CC</sub> = 2.7V to 5.5V (SP70xR), V<sub>CC</sub> = 3.15V to 5.5V (SP70xS), V<sub>CC</sub> = 3.0V to 5.5V (SP70xT), T<sub>A</sub> = T<sub>MIN</sub> to T<sub>MAX</sub>, typical at 25°C.

Parameter	Min.	Typ.	Max.	Units	Conditions
Operating Voltage Range V <sub>CC</sub>	1.0		5.5	V	
Supply Current I <sub>SUPPLY</sub>		25	40	μA	MR=V <sub>CC</sub> or floating, WDI floating, V <sub>CC</sub> = 3.3V
		40	80	μA	MR=V <sub>CC</sub> or floating, V <sub>CC</sub> = 5.5V
Reset Threshold	2.55	2.63	2.70	V	SP706R. SP708R
	2.85	2.93	3.00		SP706S. SP708S
	3.00	3.08	3.15		SP706T. SP708T
Reset Threshold Hysteresis		20		mV	Note 2
Reset Pulse Width t <sub>RS</sub>	140	200	280	ms	Note 2
RESET Output Voltage				V	
V <sub>OH</sub>	0.8xV <sub>CC</sub>				V <sub>RST(MAX)</sub> <V <sub>CC</sub> <3.6V, I <sub>SOURCE</sub> =500μA
V <sub>OL</sub>			0.3		V <sub>RST(MAX)</sub> <V <sub>CC</sub> <3.6V, I <sub>SINK</sub> =1.2mA
V <sub>OH</sub>	V <sub>CC</sub> -1.5				4.5V<V <sub>CC</sub> <5.5V, I <sub>SOURCE</sub> =800μA
V <sub>OL</sub>			0.4	4.5V<V <sub>CC</sub> <5.5V, I <sub>SINK</sub> =3.2mA	
RESET Output Voltage				V	
V <sub>OH</sub>	V <sub>CC</sub> -0.6				V <sub>RST(MAX)</sub> <V <sub>CC</sub> <3.6V, I <sub>SOURCE</sub> =215μA
V <sub>OL</sub>			0.3		V <sub>RST(MAX)</sub> <V <sub>CC</sub> <3.6V, I <sub>SOURCE</sub> =1.2mA
V <sub>OH</sub>	V <sub>CC</sub> -1.5				4.5V<V <sub>CC</sub> <5.5V, I <sub>SOURCE</sub> =800μA
V <sub>OL</sub>			0.4	4.5V<V <sub>CC</sub> <5.5V, I <sub>SOURCE</sub> =3.2mA	
Watchdog Timeout Period t <sub>WD</sub>	1.00	1.60	2.25	s	V <sub>CC</sub> <3.6V
WDI Pulse Width t <sub>WP</sub> (note 1)	50			ns	V <sub>IL</sub> =0.4V, V <sub>IH</sub> =0.8xV <sub>CC</sub>
WDI Input Threshold				V	
V <sub>IL</sub>			0.6		V <sub>RST(MAX)</sub> <V <sub>CC</sub> <3.6V
V <sub>IH</sub>	0.7xV <sub>CC</sub>				V <sub>RST(MAX)</sub> <V <sub>CC</sub> <3.6V
V <sub>IL</sub>			0.8		V <sub>CC</sub> =5V
V <sub>IH</sub>	3.5			V <sub>CC</sub> =5V	
WDI Input Current	-1	0.02	1	μA	WDI=0V or WDI=V <sub>CC</sub>
WDO Output Voltage				V	
V <sub>IL</sub>	0.8xV <sub>CC</sub>				V <sub>RST(MAX)</sub> <V <sub>CC</sub> <3.6V, I <sub>SOURCE</sub> =500μA
V <sub>IH</sub>			0.3		V <sub>RST(MAX)</sub> <V <sub>CC</sub> <3.6V, I <sub>SINK</sub> =1.2mA
V <sub>IL</sub>	V <sub>CC</sub> -1.5			4.5V<V <sub>CC</sub> <5.5V, I <sub>SOURCE</sub> =800μA	



# SP706R/S/T - SP708R/S/T

## 3.0V/3.3V Low Power Microprocessor Supervisory Circuits

Parameter	Min.	Typ.	Max.	Units	Conditions
$V_{IH}$			0.4		$4.5V < V_{CC} < 5.5V, I_{SINK} = 3.2mA$
MR Pull-up Current	25	70	250	$\mu A$	$MR = 0V, V_{RST(MAX)} < V_{CC} < 3.6V$
	100	250	600		$MR = 0V, 4.5V < V_{CC} < 5.5V$
MR Pulse Width $t_{MR}$	500			ns	$V_{RST(MAX)} < V_{CC} < 3.6V$
	150				$4.5V < V_{CC} < 5.5V$
MR Input Threshold			0.6	V	$V_{RST(MAX)} < V_{CC} < 3.6V$
		$0.7 \times V_{CC}$			$V_{RST(MAX)} < V_{CC} < 3.6V$
			0.8		$4.5V < V_{CC} < 5.5V$
		2.0			$4.5V < V_{CC} < 5.5V$
MR to Reset Out Delay $t_{MD}$			750	ns	$V_{RST(MAX)} < V_{CC} < 3.6V$
			250		$4.5V < V_{CC} < 5.5V$
PFI Input Threshold	1.20	1.25	1.30	V	$V_{CC} = 3.0V$ - SP70xR, PFI falling $V_{CC} = 3.3V$ - SP70xS/T, PFI falling
PFI Input Current	-200.00	0.01	200.00	nA	$V_{PFI} = 1.36V$
PFO Output Voltage				V	
		$0.8 \times V_{CC}$			$V_{RST(MAX)} < V_{CC} < 3.6V, I_{SOURCE} = 500\mu A$
			0.3		$V_{RST(MAX)} < V_{CC} < 3.6V, I_{SINK} = 1.2mA$
		$V_{CC} - 1.5$			$4.5V < V_{CC} < 5.5V, I_{SOURCE} = 800\mu A$
			0.4		$4.5V < V_{CC} < 5.5V, I_{SINK} = 3.2mA$

Note 1: WDI minimum rise /fall time is 1 $\mu s$ .

### BLOCK DIAGRAM

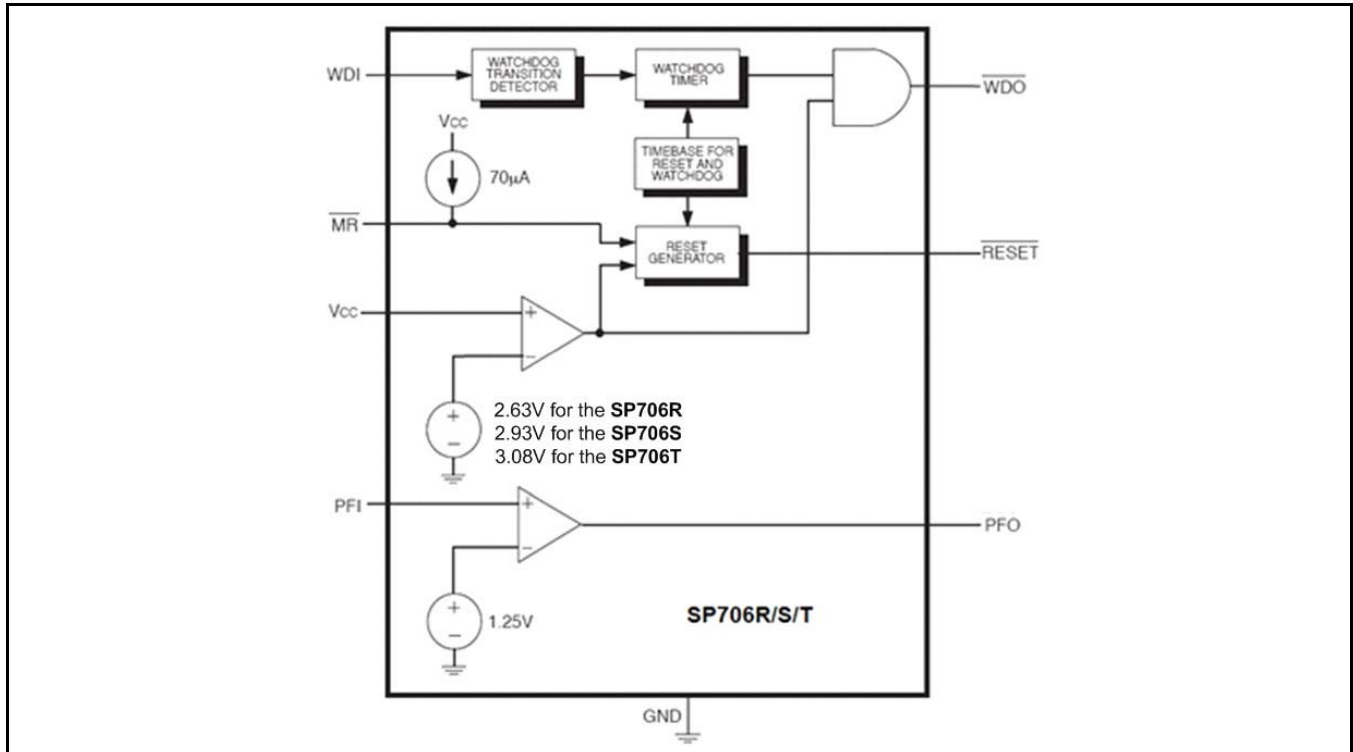


Fig. 1: SP706R/S/T Block Diagram





# SP706R/S/T - SP708R/S/T

## 3.0V/3.3V Low Power Microprocessor Supervisory Circuits

### PIN DESCRIPTION

Name	Pin Number				Description
	SP706R/S/T		SP708R/S/T		
	SOIC	MSOP	SOIC	MSOP	
MR	1	3	1	3	Manual Reset This input triggers a reset pulse when pulled below 0.8V. This active LOW input has an internal 70µA pull-up current. It can be driven from a TTL or CMOS logic line or shorted to ground with a switch.
V <sub>CC</sub>	2	4	2	4	Voltage Input
GND	3	5	3	5	Ground reference for all signals
PFI	4	6	4	6	Power-Fail Input When this voltage monitor input is less than 1.25V, PFO goes LOW. Connect PFI to ground or V <sub>CC</sub> when not in use.
PFO	5	7	5	7	Power-Fail Output This output is LOW until PFI is less than 1.25V
WDI	6	8	-	-	Watchdog Input If this input remains HIGH or LOW for 1.6s, the internal watchdog timer times out and WDO goes LOW. Floating WDI or connecting WDI to a high-impedance tri-state buffer disables the watchdog feature. The internal watchdog timer clears whenever RESET is asserted, WDI is tri-stated, or whenever WDI sees a rising or falling edge.
N.C.	-	-	6	8	No Connect
RESET	7	1	7	1	Active-LOW RESET Output This output pulses LOW for 200ms when triggered and stays LOW whenever V <sub>CC</sub> is below the reset threshold. It remains LOW for 200ms after V <sub>CC</sub> rises above the reset threshold or MR goes from LOW to HIGH. A watchdog timeout will not trigger RESET unless WDO is connected to MR.
WDO	8	2	-	-	Watchdog Output This output pulls LOW when the internal watchdog timer finishes its 1.6s count and does not go HIGH again until the watchdog is cleared. WDO also goes LOW during low-line conditions. Whenever V <sub>CC</sub> is below the reset threshold, WDO stays LOW. However, unlike RESET, WDO does not have a minimum pulse width. As soon as V <sub>CC</sub> is above the reset threshold, WDO goes HIGH with no delay.
RESET	-	-	8	2	Active-HIGH RESET Output This output is the complement of RESET. Whenever RESET is HIGH, RESET is LOW and vice-versa. Note that the SP708R/S/T has a reset output only.

### ORDERING INFORMATION

Part Number	Temperature Range	Marking	Package	Packing Quantity	Note 1	Note 2
SP706RCN-L	0°C ≤ T <sub>A</sub> ≤ +70°C	SP706RC YYWWL X	8-pin NSOIC	Bulk	Lead Free	
SP706RCN-L/TR	0°C ≤ T <sub>A</sub> ≤ +70°C		8-pin NSOIC	2.5K/Tape & Reel	Lead Free	
SP706RCU-L	0°C ≤ T <sub>A</sub> ≤ +70°C	706R CXXX YWW	8-pin MSOP	Bulk	Lead Free	
SP706RCU-L/TR	0°C ≤ T <sub>A</sub> ≤ +70°C		8-pin MSOP	2.5K/Tape & Reel	Lead Free	
SP706REN-L	-40°C ≤ T <sub>A</sub> ≤ +85°C	SP706RE YYWWL X	8-pin NSOIC	Bulk	Lead Free	
SP706REN-L/TR	-40°C ≤ T <sub>A</sub> ≤ +85°C		8-pin NSOIC	2.5K/Tape & Reel	Lead Free	
SP706REU-L	-40°C ≤ T <sub>A</sub> ≤ +85°C	706R EXXX YWW	8-pin MSOP	Bulk	Lead Free	
SP706REU-L/TR	-40°C ≤ T <sub>A</sub> ≤ +85°C		8-pin MSOP	2.5K/Tape & Reel	Lead Free	
SP706SCN-L	0°C ≤ T <sub>A</sub> ≤ +70°C	SP706SC YYWWL X	8-pin NSOIC	Bulk	Lead Free	
SP706SCN-L/TR	0°C ≤ T <sub>A</sub> ≤ +70°C		8-pin NSOIC	2.5K/Tape & Reel	Lead Free	
SP706SCU-L	0°C ≤ T <sub>A</sub> ≤ +70°C	706S CXXX YWW	8-pin MSOP	Bulk	Lead Free	
SP706SCU-L/TR	0°C ≤ T <sub>A</sub> ≤ +70°C		8-pin MSOP	2.5K/Tape & Reel	Lead Free	



## SP706R/S/T - SP708R/S/T

### 3.0V/3.3V Low Power Microprocessor Supervisory Circuits

Part Number	Temperature Range	Marking	Package	Packing Quantity	Note 1	Note 2
SP706SEN-L	$-40^{\circ}\text{C} \leq T_A \leq +85^{\circ}\text{C}$	SP706SE YYWWL X	8-pin NSOIC	Bulk	Lead Free	
SP706SEN-L/TR	$-40^{\circ}\text{C} \leq T_A \leq +85^{\circ}\text{C}$		8-pin NSOIC	2.5K/Tape & Reel	Lead Free	
SP706SEU-L	$-40^{\circ}\text{C} \leq T_A \leq +85^{\circ}\text{C}$	706S EXXX YWW	8-pin MSOP	Bulk	Lead Free	
SP706SEU-L/TR	$-40^{\circ}\text{C} \leq T_A \leq +85^{\circ}\text{C}$		8-pin MSOP	2.5K/Tape & Reel	Lead Free	
SP706TCN-L	$0^{\circ}\text{C} \leq T_A \leq +70^{\circ}\text{C}$	SP706TC YYWWL X	8-pin NSOIC	Bulk	Lead Free	
SP706TCN-L/TR	$0^{\circ}\text{C} \leq T_A \leq +70^{\circ}\text{C}$		8-pin NSOIC	2.5K/Tape & Reel	Lead Free	
SP706TCU-L	$0^{\circ}\text{C} \leq T_A \leq +70^{\circ}\text{C}$	706T CXXX YWW	8-pin MSOP	Bulk	Lead Free	
SP706TCU-L/TR	$0^{\circ}\text{C} \leq T_A \leq +70^{\circ}\text{C}$		8-pin MSOP	2.5K/Tape & Reel	Lead Free	
SP706TEN-L	$-40^{\circ}\text{C} \leq T_A \leq +85^{\circ}\text{C}$	SP706TE YYWWL X	8-pin NSOIC	Bulk	Lead Free	
SP706TEN-L/TR	$-40^{\circ}\text{C} \leq T_A \leq +85^{\circ}\text{C}$		8-pin NSOIC	2.5K/Tape & Reel	Lead Free	
SP706TEU-L	$-40^{\circ}\text{C} \leq T_A \leq +85^{\circ}\text{C}$	706T EXXX YWW	8-pin MSOP	Bulk	Lead Free	
SP706TEU-L/TR	$-40^{\circ}\text{C} \leq T_A \leq +85^{\circ}\text{C}$		8-pin MSOP	2.5K/Tape & Reel	Lead Free	
SP708REN-L	$-40^{\circ}\text{C} \leq T_A \leq +85^{\circ}\text{C}$	SP708RE YYWWL X	8-pin NSOIC	Bulk	Lead Free	
SP708REN-L/TR	$-40^{\circ}\text{C} \leq T_A \leq +85^{\circ}\text{C}$		8-pin NSOIC	2.5K/Tape & Reel	Lead Free	
SP708SCN-L	$0^{\circ}\text{C} \leq T_A \leq +70^{\circ}\text{C}$	SP708SC YYWWL X	8-pin NSOIC	Bulk	Lead Free	
SP708SCN-L/TR	$0^{\circ}\text{C} \leq T_A \leq +70^{\circ}\text{C}$		8-pin NSOIC	2.5K/Tape & Reel	Lead Free	
SP708SCU-L	$0^{\circ}\text{C} \leq T_A \leq +70^{\circ}\text{C}$	708S UXXX YWW	8-pin MSOP	Bulk	Lead Free	
SP708SCU-L/TR	$0^{\circ}\text{C} \leq T_A \leq +70^{\circ}\text{C}$		8-pin MSOP	2.5K/Tape & Reel	Lead Free	
SP708SEN-L	$-40^{\circ}\text{C} \leq T_A \leq +85^{\circ}\text{C}$	SP708SE YYWWL X	8-pin NSOIC	Bulk	Lead Free	
SP708SEN-L/TR	$-40^{\circ}\text{C} \leq T_A \leq +85^{\circ}\text{C}$		8-pin NSOIC	2.5K/Tape & Reel	Lead Free	
SP708TCN-L	$0^{\circ}\text{C} \leq T_A \leq +70^{\circ}\text{C}$	SP708TC YYWWL X	8-pin NSOIC	Bulk	Lead Free	
SP708TCN-L/TR	$0^{\circ}\text{C} \leq T_A \leq +70^{\circ}\text{C}$		8-pin NSOIC	2.5K/Tape & Reel	Lead Free	
SP708TEN-L	$-40^{\circ}\text{C} \leq T_A \leq +85^{\circ}\text{C}$	SP706TE YYWWL X	8-pin NSOIC	Bulk	Lead Free	
SP708TEN-L/TR	$-40^{\circ}\text{C} \leq T_A \leq +85^{\circ}\text{C}$		8-pin NSOIC	2.5K/Tape & Reel	Lead Free	

"YY" = Year - "WW" = Work Week - "X" = Lot Number

### TYPICAL PERFORMANCE CHARACTERISTICS

All data taken at  $V_{CC} = 2.7V$  to  $5.5V$  (SP70xR),  $V_{CC} = 3.15V$  to  $5.5V$  (SP70xS),  $V_{CC} = 3.0V$  to  $5.5V$  (SP70xT),  $T_A = 25^\circ C$ , unless otherwise indicated.

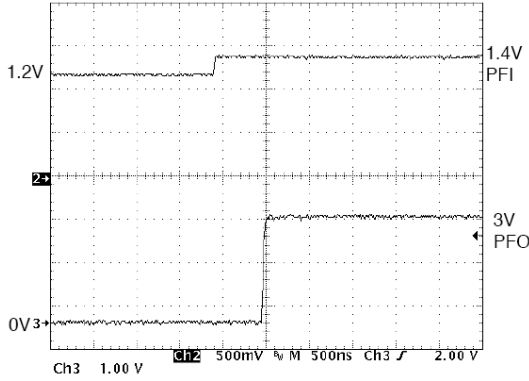


Fig. 4: Power-Fail Comparator De-Assertion Response Time

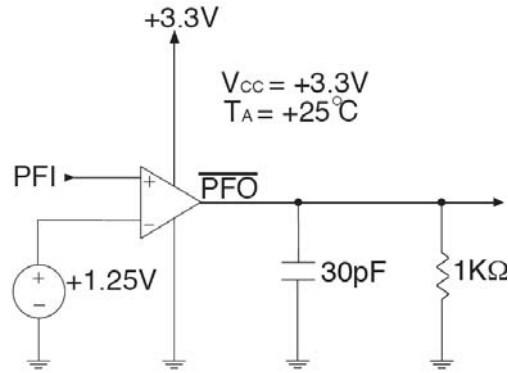


Fig. 5: Power-Fail Comparator De-Assertion Response Time Circuit

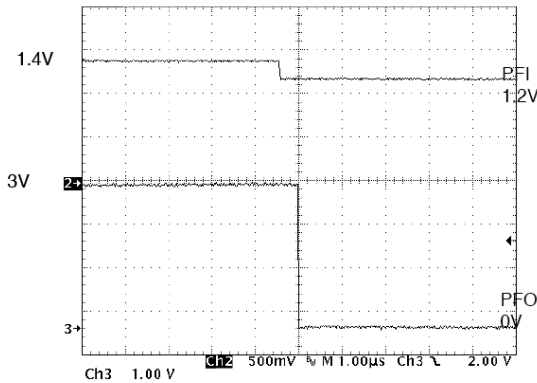


Fig. 6: Power-Fail Comparator Assertion Response Time

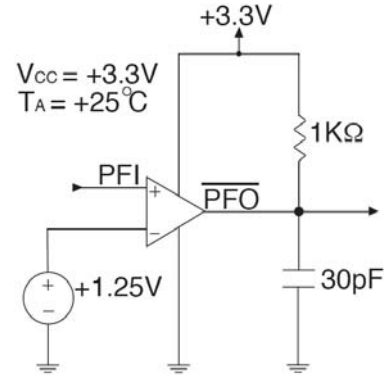


Fig. 7: Power-Fail Comparator Assertion Response Time Circuit

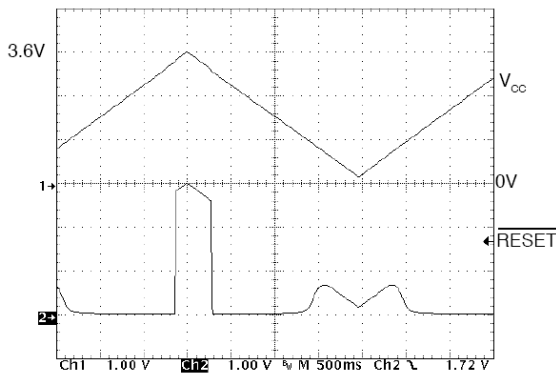


Fig. 8: SP706 RESET Output Voltage vs. Supply Voltage

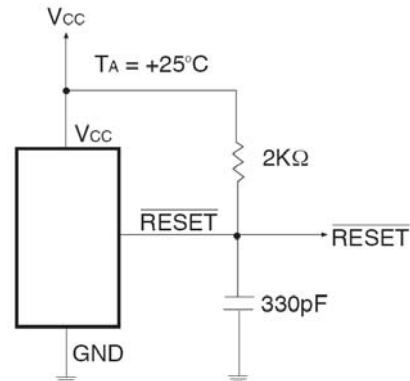


Fig. 9: SP706 RESET Output Voltage vs. Supply Voltage Circuit

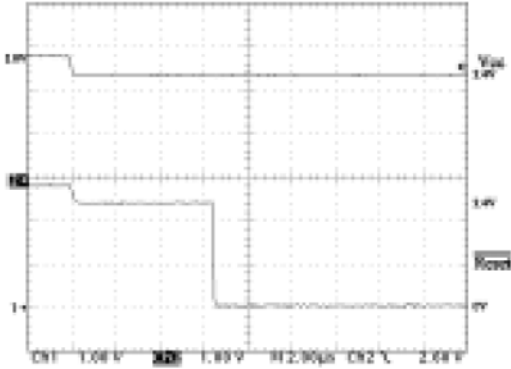


Fig. 10: SP706 RESET Response Time

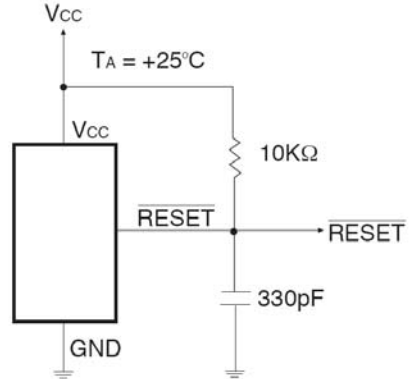


Fig. 11: SP706 RESET Response Time Circuit

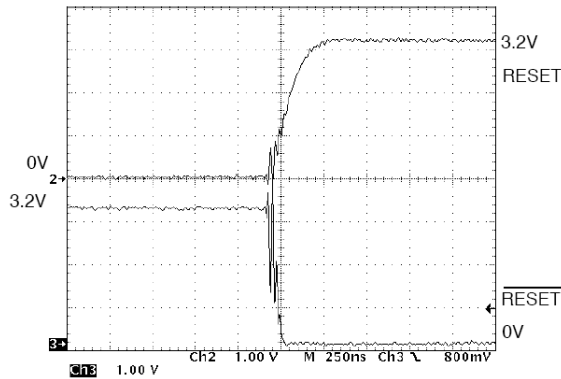


Fig. 12: SP708 RESET and RESET Assertion

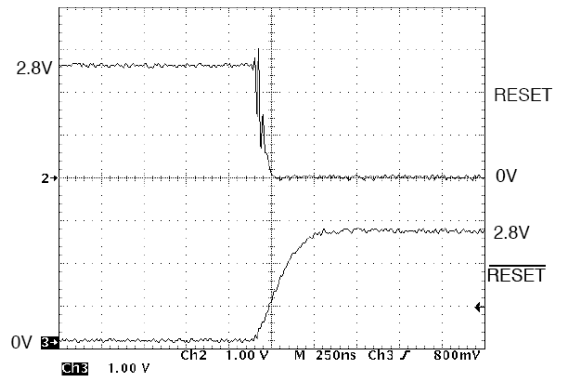


Fig. 13: SP708 RESET and RESET De-Assertion

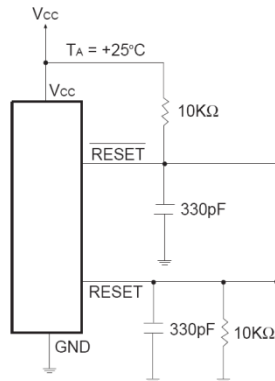


Fig. 14: SP708 RESET and RESET Assertion and De-Assertion Circuit



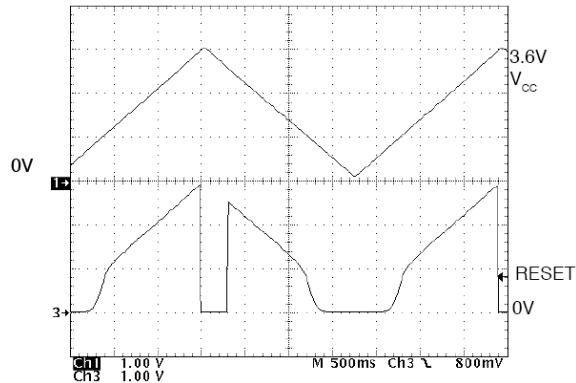


Fig. 15: SP708 RESET Output Voltage vs. Supply Voltage

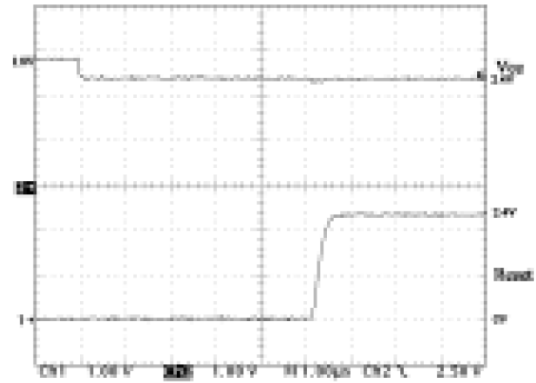


Fig. 16: SP708 RESET Response Time

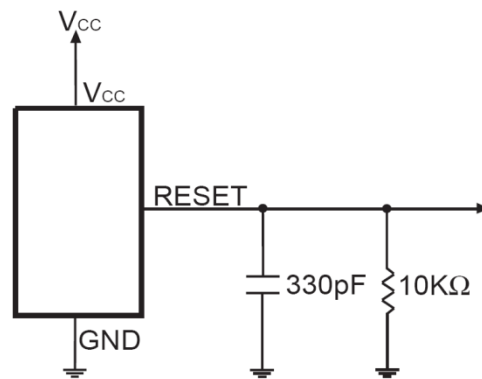


Fig. 17: SP708 RESET Output Voltage vs. Supply Voltage and RESET Response Time Circuit



# SP706R/S/T - SP708R/S/T

## 3.0V/3.3V Low Power Microprocessor Supervisory Circuits

---



# SP706R/S/T - SP708R/S/T

## 3.0V/3.3V Low Power Microprocessor Supervisory Circuits

### FEATURES

The SP706R/S/T and SP708R/S/T series provides four key functions:

1. A reset output during power-up, power-down and brownout conditions.
2. An independent watchdog output that goes LOW if the watchdog input has not been toggled within 1.6 seconds.
3. A 1.25V threshold detector for power-fail warning, low battery detection, or monitoring a power supply other than +3.3V/+3.0V.
4. An active-LOW manual-reset that allows RESET to be triggered by a pushbutton switch.

The SP706R/S/T devices are the same as the SP708R/S/T devices except for the active-HIGH RESET substitution of the watchdog timer.

### THEORY OF OPERATION

The SP706R/S/T-SP708R/S/T series is a microprocessor ( $\mu$ P) supervisory circuit that monitors the power supplied to digital circuits such as microprocessors, microcontrollers, or memory. The series is an ideal solution for portable, battery-powered equipment that requires power supply monitoring. Implementing this series will reduce the number of components and overall complexity. The watchdog functions of this product family will continuously oversee the operational status of a system. The operational features and benefits of the SP706R/S/T-SP708R/S/T series are described in more detail below.

### RESET OUTPUT

A microprocessor's reset input starts the  $\mu$ P in a known state. The SP706R/S/T-SP708R/S/T series asserts reset during power-up and prevents code execution errors during power down or brownout conditions.

On power-up, once  $V_{CC}$  reaches 1V, RESET is a guaranteed logic LOW of 0.4V or less. As  $V_{CC}$  rises, RESET stays LOW. When  $V_{CC}$  rises above the reset threshold, an internal timer releases RESET after 200ms. RESET pulses LOW whenever  $V_{CC}$  dips below the reset threshold, such as in a brownout condition. When a brownout condition occurs in the middle of a

previously initiated reset pulse, the pulse continues for at least another 140ms. On power down, once  $V_{CC}$  falls below the reset threshold, RESET stays LOW and is guaranteed to be 0.4V or less until  $V_{CC}$  drops below 1V.

The active-HIGH RESET output is simply the complement of the RESET output and is guaranteed to be valid with  $V_{CC}$  down to 1.1V. Some  $\mu$ Ps, such as Intel's 80C51, require an active-HIGH reset pulse.

### WATCHDOG TIMER

The SP706R/S/T-SP708R/S/T watchdog circuit monitors the  $\mu$ P's activity. If the  $\mu$ P does not toggle the watchdog input (WDI) within 1.6 seconds and WDI is not tri-stated, WDO goes LOW. As long as RESET is asserted or the WDI input is tri-stated, the watchdog timer will stay cleared and will not count. As soon as RESET is released and WDI is driven HIGH or LOW, the timer will start counting. Pulses as short as 50ns can be detected.

Typically, WDO will be connected to the non-maskable interrupt input (NMI) of a  $\mu$ P. When  $V_{CC}$  drops below the reset threshold, WDO will go LOW whether or not the watchdog timer had timed out. Normally this would trigger an NMI but RESET goes LOW simultaneously and thus overrides the NMI.

If WDI is left unconnected, WDO can be used as a low-line output. Since floating WDI disables the internal timer, WDO goes LOW only when  $V_{CC}$  falls below the reset threshold, thus functioning as a low-line output.

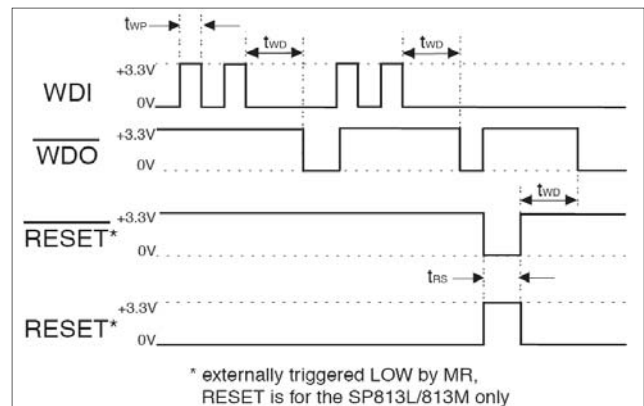


Fig. 18: Watchdog Timing Waveforms

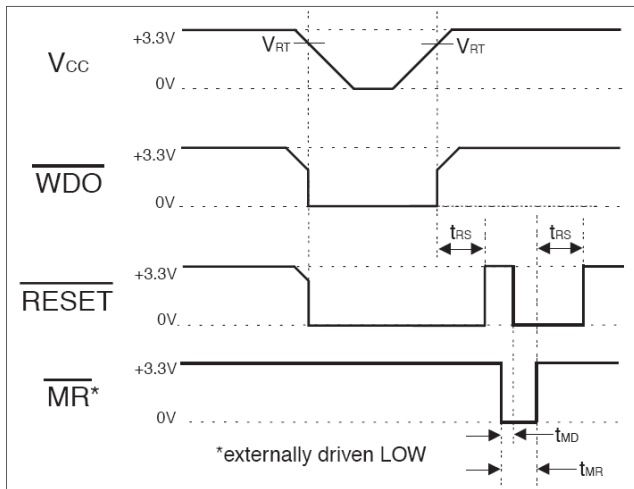


Fig. 19: Timing Diagrams with WDI tri-stated.

### POWER-FAIL COMPARATOR

The power-fail comparator can be used for various purposes because its output and non inverting input are not internally connected. The inverting input is internally connected to a 1.25V reference.

To build an early-warning circuit for power failure, connect the PFI pin to a voltage divider as shown in Figure 20. Choose the voltage divider ratio so that the voltage at PFI falls below 1.25V just before the +5V regulator drops out. Use PFO to interrupt the  $\mu$ P so it can prepare for an orderly power-down.

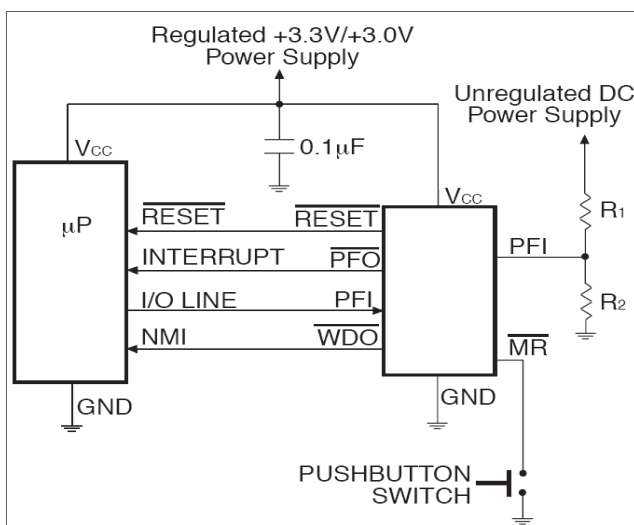


Fig. 20: Typical Operating Circuit

### MANUAL RESET

The manual-reset input (MR) allows RESET to be triggered by a pushbutton switch. The switch is effectively debounced by the 140ms minimum RESET pulse width. MR is TTL/CMOS logic compatible, so it can be driven by an external logic line. MR can be used to force a watchdog timeout to generate a RESET pulse in the SP706R/S/T-SP708R/S/T. Simply connect WDO to MR.

### Ensuring a Valid Reset Output Down to $V_{CC}=0V$

When  $V_{CC}$  falls below 1V, the RESET output no longer sinks current, it becomes an open circuit. High-impedance CMOS logic inputs can drift to undetermined voltages if left undriven. If a pull-down resistor is added to the RESET pin, any stray charge or leakage currents will be shunted to ground, holding RESET LOW. The resistor value is not critical. It should be about 100K $\Omega$ , large enough not to load RESET and small enough to pull RESET to ground.

### MONITORING VOLTAGES OTHER THAN THE UNREGULATED DC INPUT

Monitor voltages other than the unregulated DC by connecting a voltage divider to PFI and adjusting the ratio appropriately. If required, add hysteresis by connecting a resistor (with a value approximately 10 times the sum of the two resistors in the potential divider network) between PFI and PFO. A capacitor between PFI and GND will reduce the power-fail circuit's sensitivity to high-frequency noise on the line being monitored. RESET can be used to monitor voltages other than the +3.3V/+3.0V  $V_{CC}$  line. Connect PFO to MR to initiate a RESET pulse when PFI drops below 1.25V. Figure 21 shows the SP706R/S/T-SP708R/S/T series configured to assert RESET when the +3.3V/3.0V supply falls below the RESET threshold, or when the +12V supply falls below approximately 11V.

### MONITORING A NEGATIVE VOLTAGE SUPPLY

The power-fail comparator can also monitor a negative supply rail, shown in Figure 22. When the negative rail is good (a negative voltage of large magnitude), PFO is LOW. By adding the resistors and transistor as shown, a HIGH PFO

triggers RESET. As long as PFI remains HIGH, the SP706R/S/T-SP708R/S/T series will keep RESET asserted (where RESET = LOW and RESET = HIGH). Note that this circuit's accuracy depends on the PFI threshold tolerance, the V<sub>CC</sub> line, and the resistors.

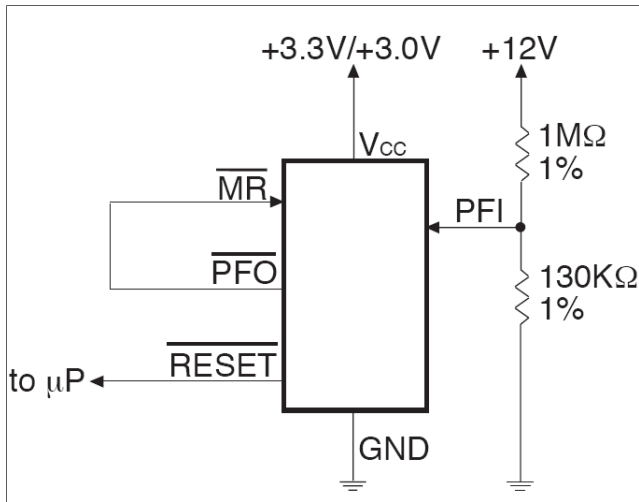


Fig. 21: Monitoring +3.3V/+3.0V and +12V Power Supplies

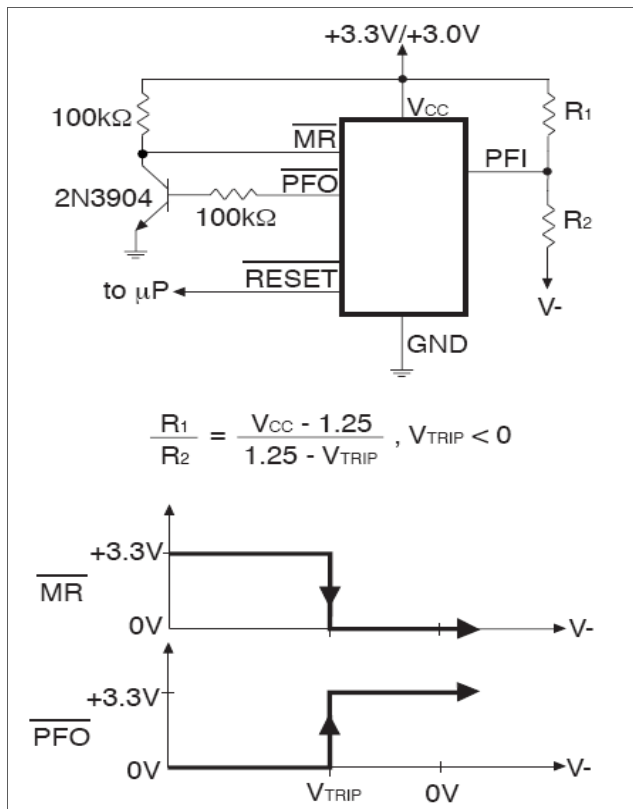


Fig. 22: Monitoring a Negative Voltage Supply

### INTERFACING TO μPS WITH BIDIRECTIONAL RESET PINS

μPs with bidirectional RESET pins, such as the Motorola 68HC11 series, can contend with the SP706/708 RESET output. If, for example, the RESET output is driven HIGH and the μP wants to pull it LOW, indeterminate logic levels may result. To correct this, connect a 4.7KΩ resistor between the RESET output and the μP reset I/O, as shown in Figure 23. Buffer the RESET output to other system components.

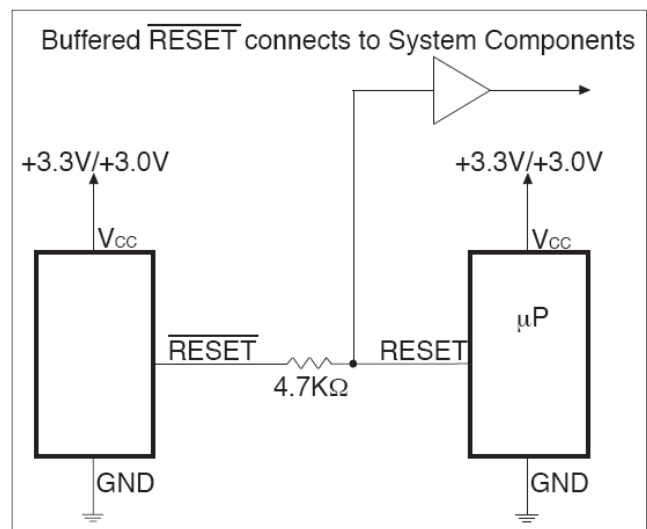


Fig. 23: Interfacing to Microprocessors with Bidirectional RESET I/O (SP706)

### NEGATIVE-GOING V<sub>CC</sub> TRANSIENT

While issuing resets to the μP during power-up, power-down, and brownout conditions, these supervisors are relatively immune to short duration negative-going V<sub>CC</sub> transients (glitches). It is usually undesirable to reset the μP when V<sub>CC</sub> experiences only small glitches.

Figure 24 shows maximum transient duration vs. reset-comparator overdrive, for which reset pulses are not generated. The data was generated using negative-going V<sub>CC</sub> pulses, starting at 3.3V and ending below the reset threshold by the magnitude indicated (reset comparator overdrive). The graph shows the maximum pulse width a negative-going V<sub>CC</sub> transient may typically have without causing a reset pulse to be issued. As the amplitude of the transient increases (i.e. goes farther below the reset threshold), the maximum allowable



# SP706R/S/T - SP708R/S/T

## 3.0V/3.3V Low Power Microprocessor Supervisory Circuits

pulse width decreases. Typically, a  $V_{CC}$  transient that goes 100mV below the reset threshold and lasts for 40 $\mu$ s or less will not cause a reset pulse to be issued. A 100nF bypass capacitor mounted close to the VCC pin provides additional transient immunity.

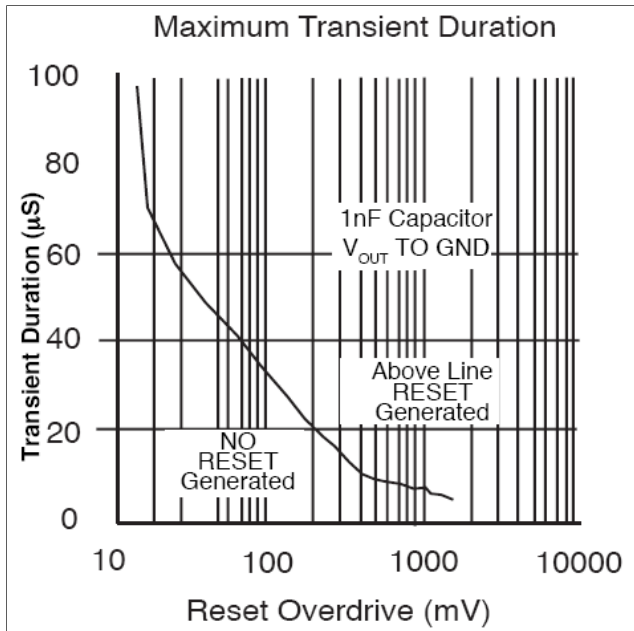


Fig. 24: Maximum Transient Duration without Causing a Reset Pulse vs. Reset Comparator Overdrive

### APPLICATIONS

The SP706P/R/S/T-SP708R/S/T series offers unmatched performance and the lowest power consumption for these industry standard devices. Refer to Figures 25 and 26 for supply current performance characteristics rated against temperature and supply voltages.

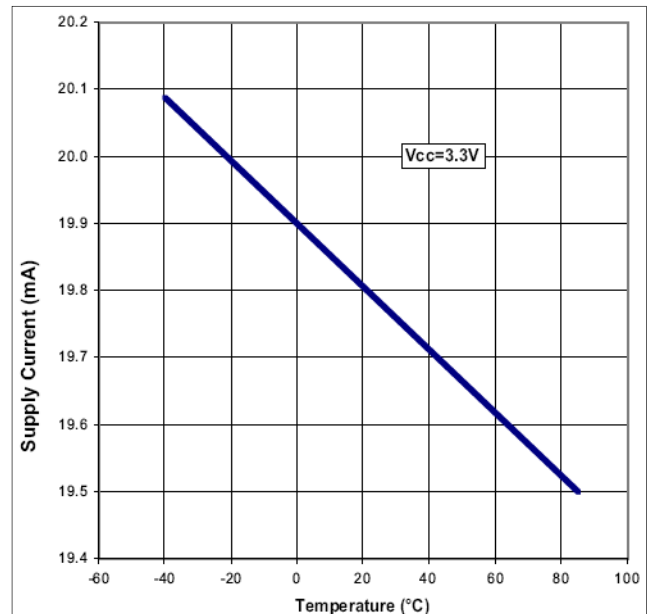


Fig. 25: Supply Current vs. Temperature

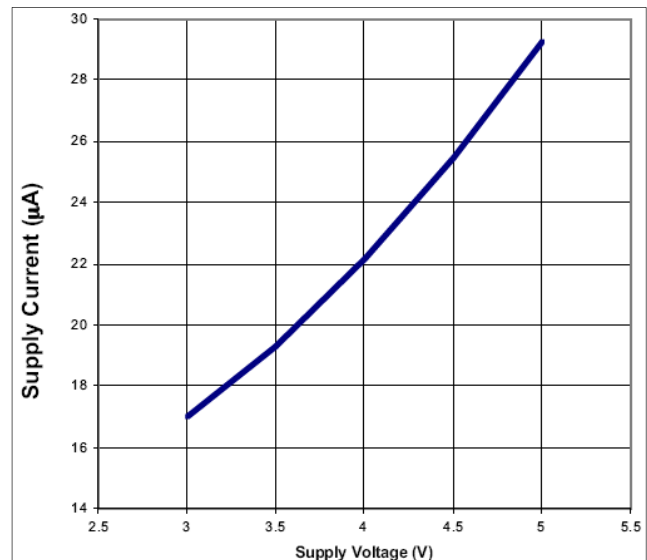


Fig. 26: Supply Current vs. Supply Voltage

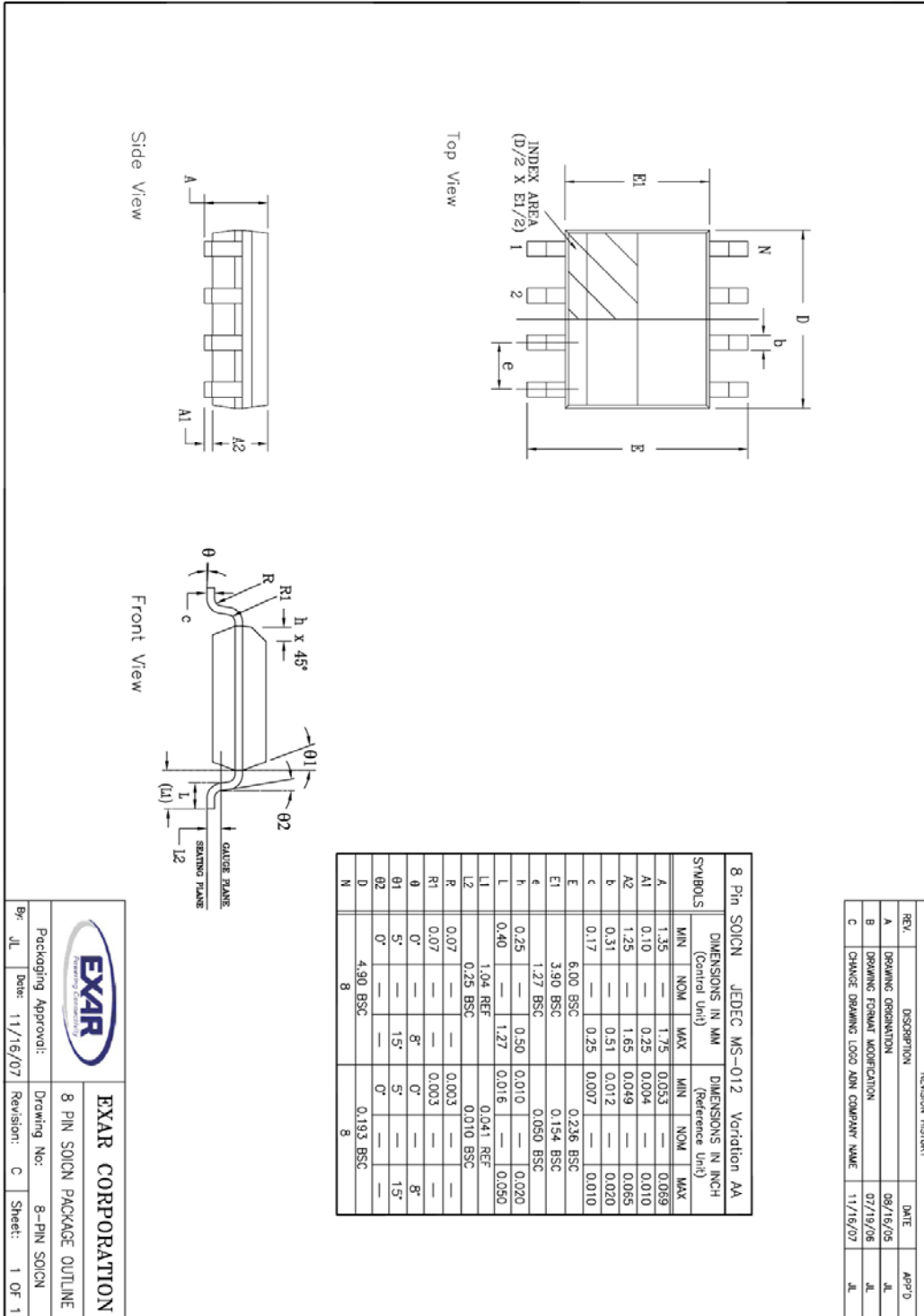


# SP706R/S/T - SP708R/S/T

## 3.0V/3.3V Low Power Microprocessor Supervisory Circuits

### PACKAGE SPECIFICATION

### 8-PIN NSOIC



REVISION HISTORY			
REV.	DESCRIPTION	DATE	APP'D
A	DRAWING ORIGINATOR	08/16/05	JL
B	DRAWING FORMAT MODIFICATION	07/19/06	JL
C	CHANGE DRAWING LOGO AND COMPANY NAME	11/16/07	JL

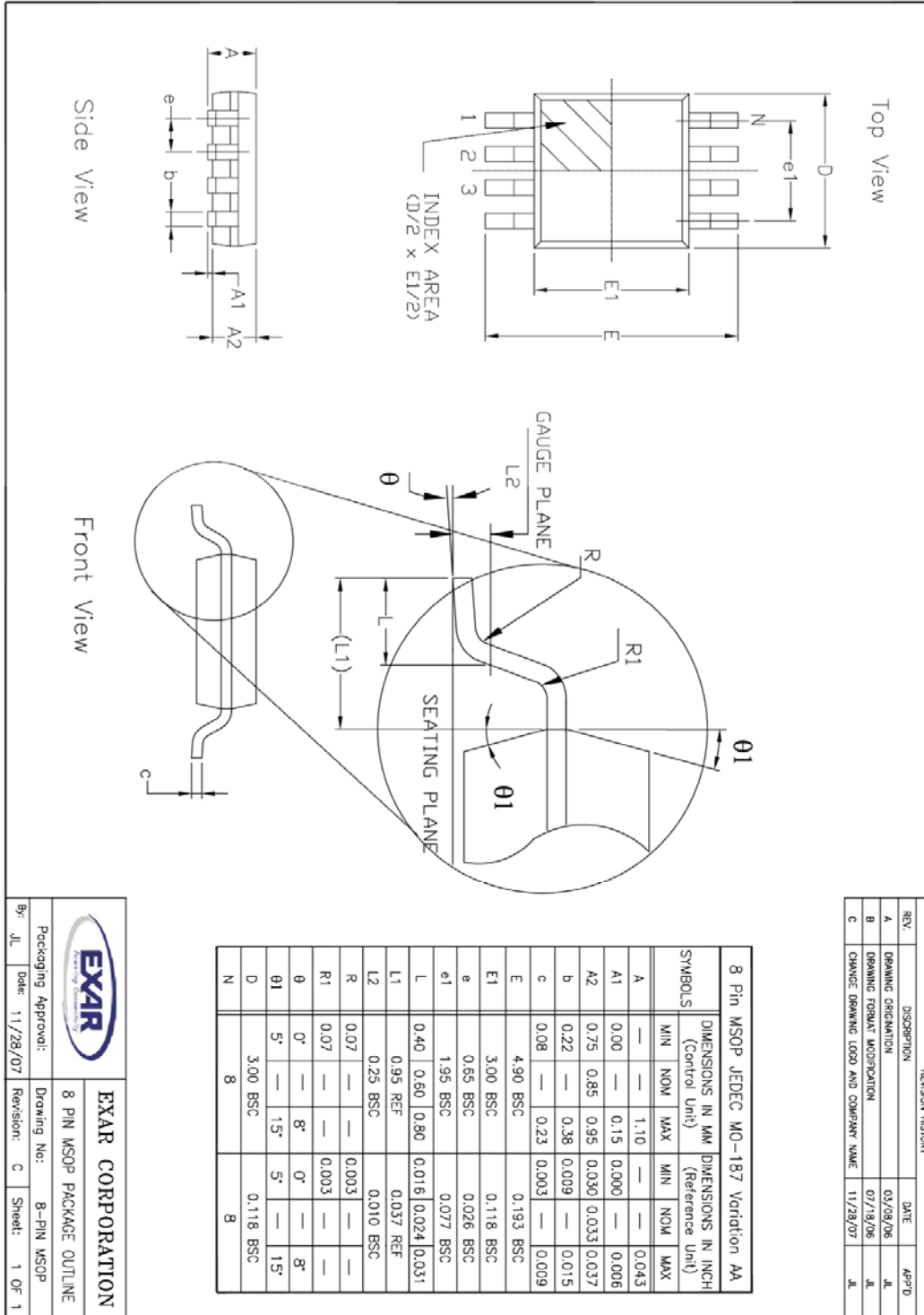
		<b>EXAR CORPORATION</b>	
Packaging Approvals:		8 PIN SOICN PACKAGE OUTLINE	
By: JL	Date: 11/16/07	Drawing No.:	8-PIN SOICN
		Revision: C	Sheet: 1 OF 1



# SP706R/S/T - SP708R/S/T

## 3.0V/3.3V Low Power Microprocessor Supervisory Circuits

### 8-PIN MSOP







# SP706R/S/T - SP708R/S/T

## 3.0V/3.3V Low Power Microprocessor Supervisory Circuits

### REVISION HISTORY

Revision	Date	Description
2.0.0	06/04/2010	Reformat of datasheet
3.0.0	04/14/2015	Change of specs to match industry standards [ECN 1517-08]

### FOR FURTHER ASSISTANCE

Email:

[customersupport@exar.com](mailto:customersupport@exar.com)

Exar Technical Documentation:

<http://www.exar.com/TechDoc/default.aspx?>



### EXAR CORPORATION

#### HEADQUARTERS AND SALES OFFICES

48720 Kato Road

Fremont, CA 94538 – USA

Tel.: +1 (510) 668-7000

Fax: +1 (510) 668-7030

[www.exar.com](http://www.exar.com)

### NOTICE

EXAR Corporation reserves the right to make changes to the products contained in this publication in order to improve design, performance or reliability. EXAR Corporation assumes no responsibility for the use of any circuits described herein, conveys no license under any patent or other right, and makes no representation that the circuits are free of patent infringement. Charts and schedules contained herein are only for illustration purposes and may vary depending upon a user's specific application. While the information in this publication has been carefully checked; no responsibility, however, is assumed for inaccuracies.

EXAR Corporation does not recommend the use of any of its products in life support applications where the failure or malfunction of the product can reasonably be expected to cause failure of the life support system or to significantly affect its safety or effectiveness. Products are not authorized for use in such applications unless EXAR Corporation receives, in writing, assurances to its satisfaction that: (a) the risk of injury or damage has been minimized; (b) the user assumes all such risks; (c) potential liability of EXAR Corporation is adequately protected under the circumstances.

Reproduction, in part or whole, without the prior written consent of EXAR Corporation is prohibited.