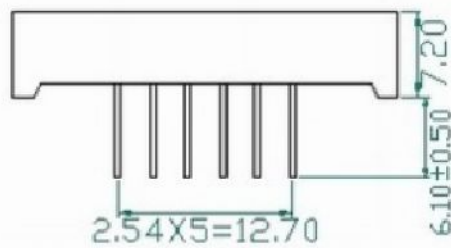
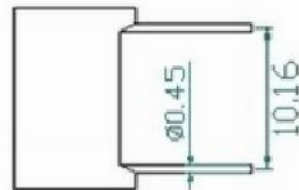
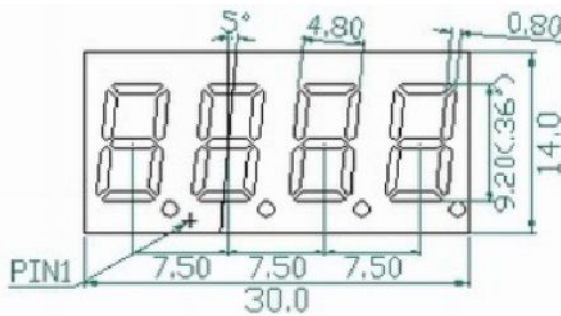
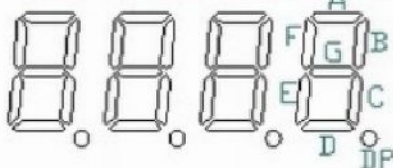


Type	FJ3461BH
Common Connection	Common Anode
Digits	4
Color	Red
Forward Current If	8mA
Forward Voltage	1.7V
Luminous Intensity	5mcd

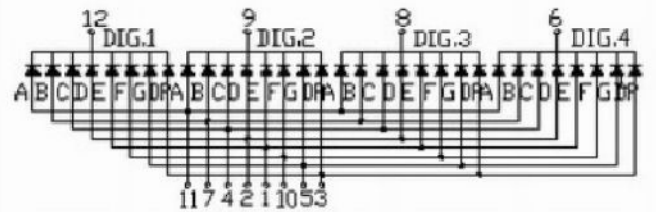


DIG.1 DIG.2 DIG.3 DIG.4



1. 尺寸单位为mm, 除特别说明外, 允许公差±0.25mm;

LDS-3461AX



LDS-3461BX

