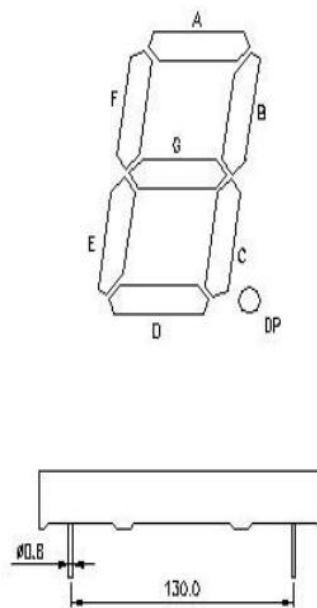
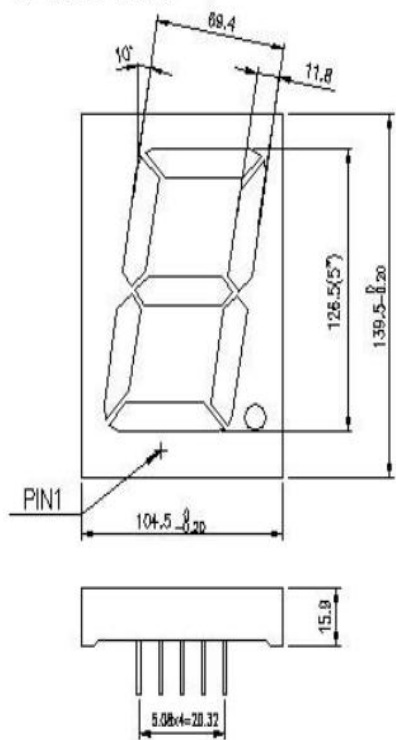


Type	FJ50101
Common Connection	Common Cathode
Digits	1
Color	Red
Forward Current If	8mA
Forward Voltage	1.7V
Luminous Intensity	5mcd

FJ-50101 Series



FJ-50101A

