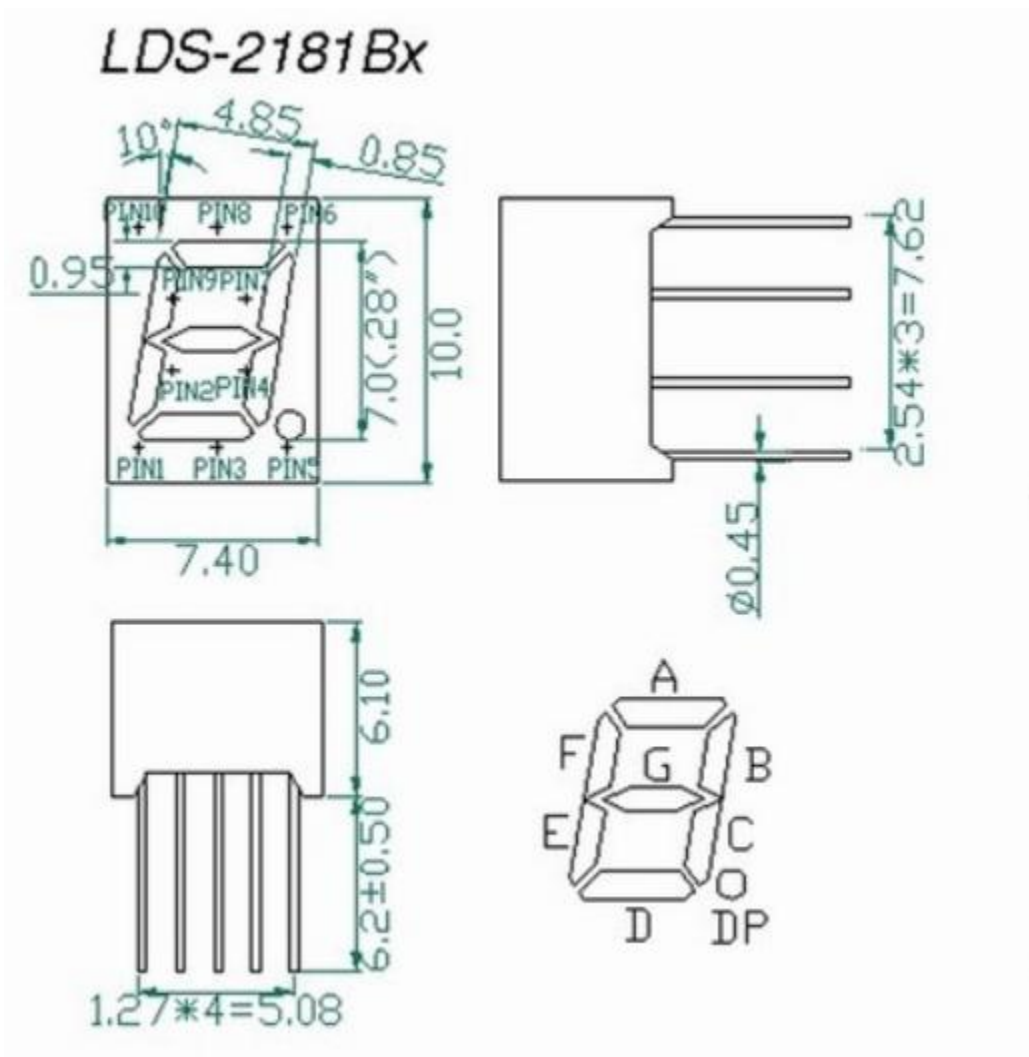
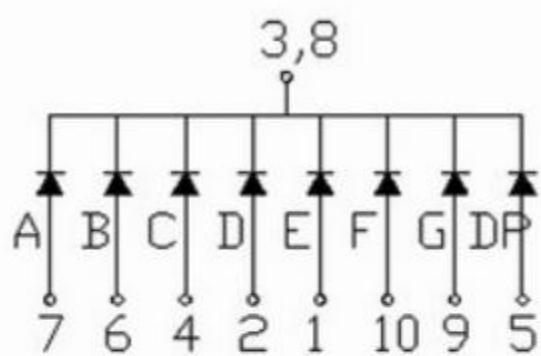


Type	2181BS
Common Connection	Common Anode
Digits	1
Color	Red
Forward Current If	8mA
Forward Voltage	1.7V
Luminous Intensity	5mcd





LDS-2181BX

