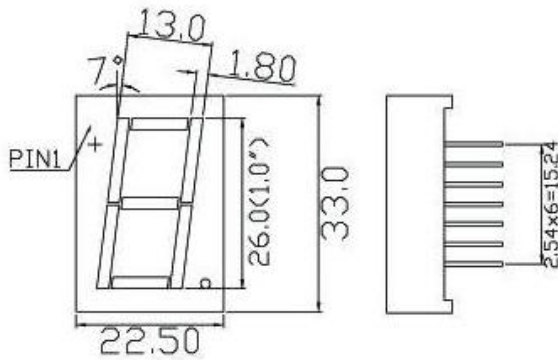
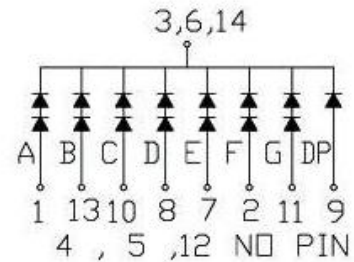


Type	FJ11001AH
Common Connection	Common Cathode
Digits	1
Color	Red
Forward Current If	8mA
Forward Voltage	1.7V
Luminous Intensity	5mcd

LDS-1101AX/BX



LDS-1101AX



LDS-1101BX

