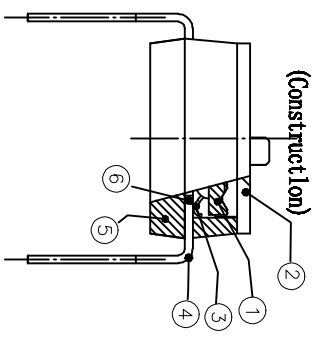
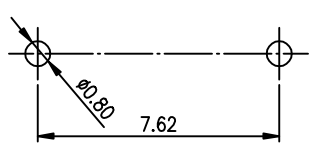
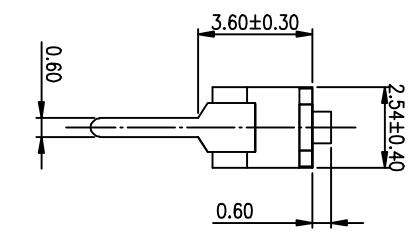
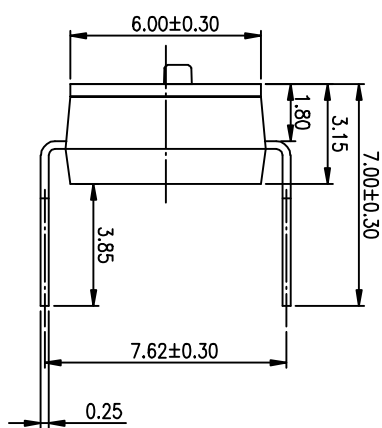
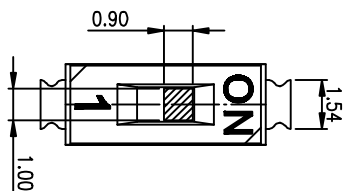


| | |
|----------------|-------------|
| PRODUCT NO. | DISC01LHGET |
| RoHS compliant | |

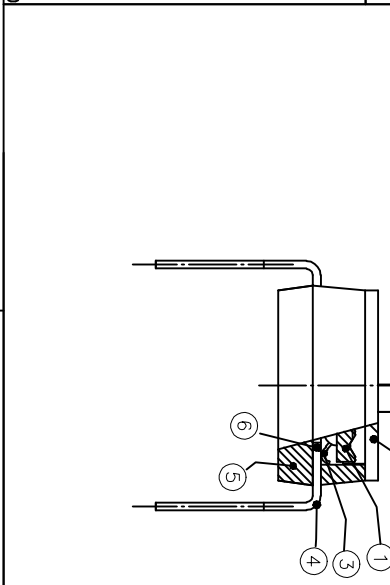
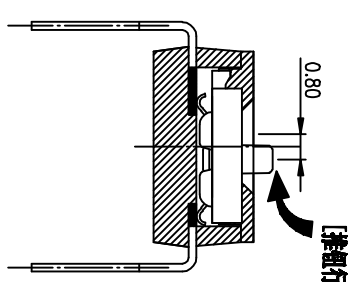


RECOMMENDED P.C.B. LAYOUT (TOP VIEW)

- NOTES :
- 1.> Specification:
 - 1> Operating force: 1000gf Max
 - 2> Operating Temperature: -40° to+85°
 - 3> Storage Temperature: -40° to+85°
 - 4> Mechanical Life: 3000cycles minimum
 - 5> Electrical Life: 2000cycles 25mA 24VDC
 2. PLATING:
 - GOLD FLASH 1u"(min.) SOLDER TAIL,
 - 3u" GOLD PLATING ON THE CONTACT AREA,
 - WITH 50u" NICKEL UNDERPLATINGOVERALL.

3. PART NUMBER DESCRIPTION

- DISC XX I T S G E T
- [包装方式: T=管装 R=盒装]
 - [电镀层: B=镀锡3u" G=镀镍3u" / 厚镀层: 2u"]
 - [G=镀合金 S=内金少镀]
 - [材质: S=铜 / J=铜 / 铝 / A=铜 / Z=铜]
 - [T=低接触度 S=低接触度 L=长推]
 - [产品号: 01=1P 02=2P 03=3P 12=12P]



| Number | Part Name | Material | Finished |
|--------|------------------|--------------|----------|
| ① | Actuator | UL94 V0 | White |
| ② | Cover | UL94 V0 | Black |
| ③ | Movable | Copper Alloy | 3u"Gold |
| ④ | Terminal | Brass | 1u"Gold |
| ⑤ | Base | UL94 V0 | Black |
| ⑥ | Terminal Contact | Brass | 3u"Gold |

| TOLERANCE UNLESS OTHERWISE SPECIFIED | | INSPECTION | |
|--------------------------------------|-----------|------------|------------|
| LINER | ANGLES | COPY | PROJECTION |
| 0 ± 0.25 | 0. ± 2' | | |
| .00 ± 0.15 | .0 ± 1' | | |
| .000± 0.10 | .00± 0.5' | | |
| DESIGN | kathy | 2012/04/12 | |
| DRAWING | | | |
| CHECK | | | |
| APPRO. | | | |

东莞市金峰实业有限公司
Dongguan Kingtek Industrial Co., Ltd.

| | |
|----------|-----------------------|
| FILE NO. | DISC01LHGET-A |
| SIZE | UNIT SCALE SHEET REV. |
| A4 | mm 2 : 1 1OF 1 A |