



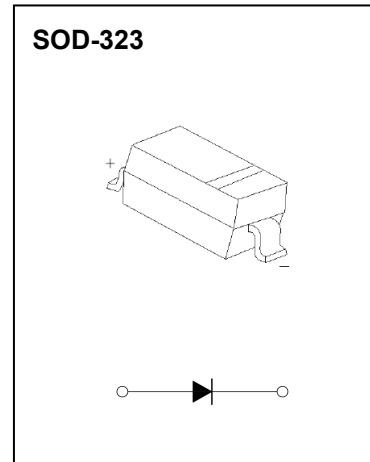
SOD-323 Plastic-Encapsulate Diodes

1SS404 SCHOTTKY BARRIER DIODE

FEATURES

- Small surface mounting type
- High speed
- High reliability with high surge current handling capability

MARKING:S51



Maximum Ratings and Electrical Characteristics, Single Diode @T_A=25°C

Parameter	Symbol	Limit	Unit
Peak reverse voltage	V _{RM}	25	V
DC reverse voltage	V _R	20	V
Average rectified output current	I _O	300	mA
Peak forward current	I _{FM}	700	mA
Power dissipation	P _D	200	mW
Thermal resistance junction to ambient	R _{θJA}	500	°C/W
Junction temperature	T _j	125	°C
Storage temperature	T _{stg}	-55~+150	°C

Electrical Ratings @T_A=25°C

Parameter	Symbol	Min	Typ	Max	Unit	Conditions
Forward voltage	V _{F1}		0.16		V	I _F =1mA
	V _{F2}		0.22		V	I _F =10mA
	V _{F3}		0.38	0.45	V	I _F =300mA
Reverse current	I _R			50	μA	V _R =20V
Capacitance between terminals	C _T		46		pF	V _R =0V, f=1MHZ